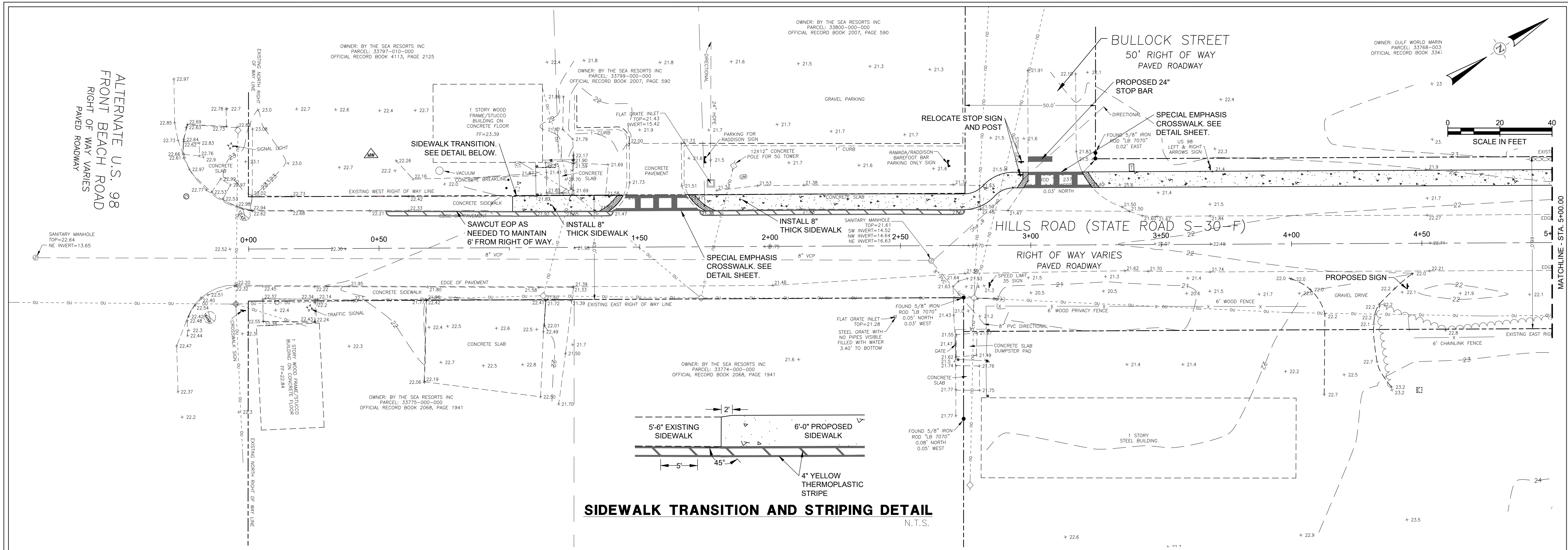
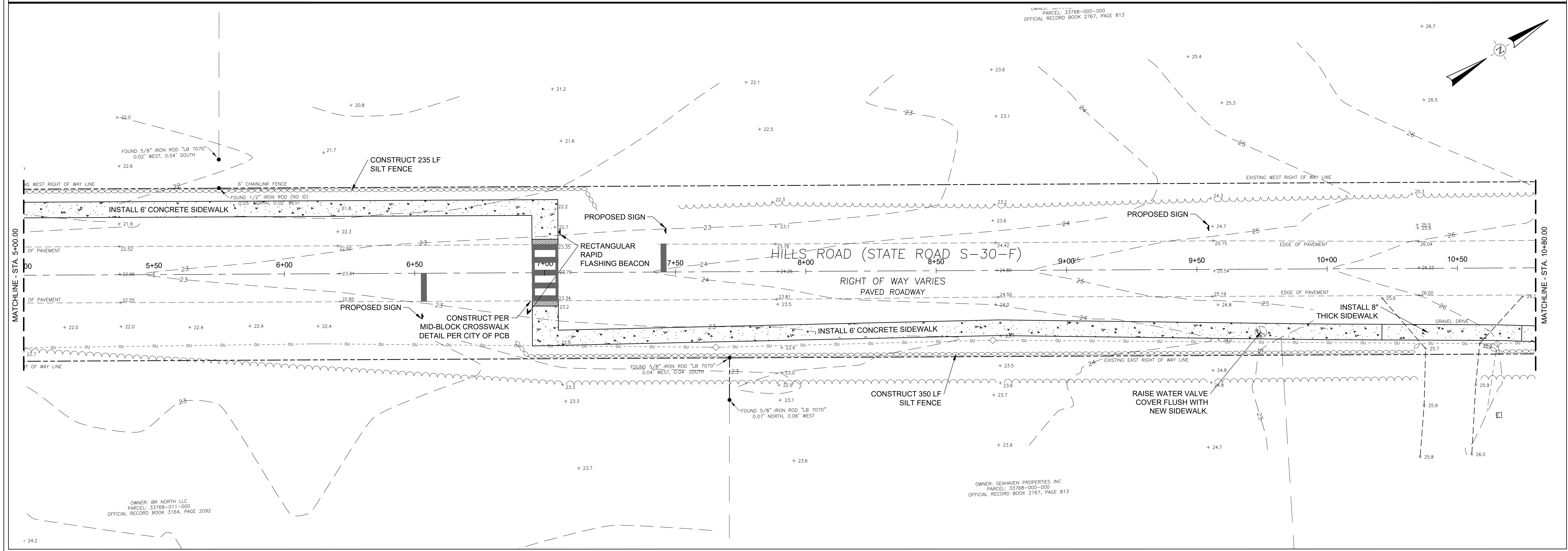
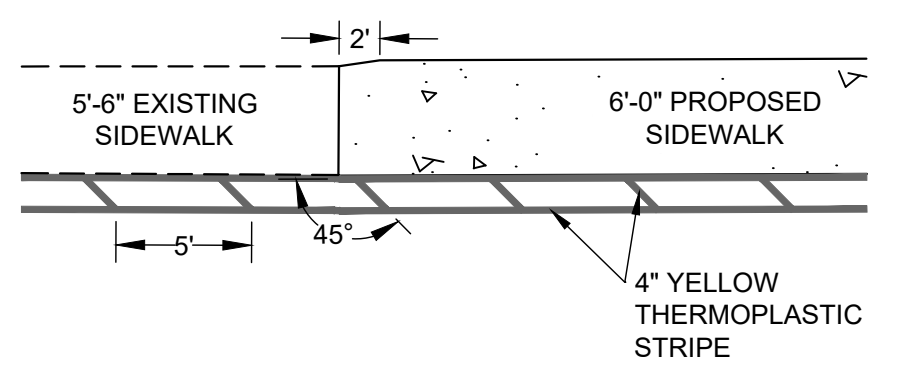



FILE NAME: I:\4600048278\001\CADD\Sheets\146278.001_LAYOUT.dwg DATE: February 15, 2023, TIME: 9:13 AM, USER: ah5014, AVO: 46278.001



SIDEWALK TRANSITION AND STRIPING DETAIL
N.T.S.



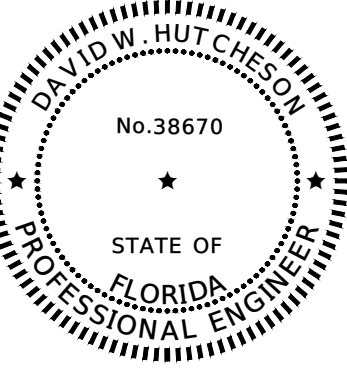
HILLS ROAD SIDEWALK
HILLS ROAD
PANAMA CITY BEACH, FL



HALFF
FL CA 83380, FL LC 26000645, FL LB 8348
HALFF ASSOCIATES, INC.
2255 KILLBURN CENTER BLVD., SUITE 200
PANAMA CITY BEACH, FL 32413
TEL: (850) 224-4460 WWW.HALFF.COM

REVISION NO.	DATE	DESCRIPTION

ISSUED FOR CONSTRUCTION



DAVID W. HUTCHESON, P.E.
No. 38670
STATE OF FLORIDA
PROFESSIONAL ENGINEER

PROJECT NO.:	46278.001
ISSUED:	02/15/2023
DRAWN BY:	SRW
CHECKED BY:	DWH
SCALE:	1"=20'
SHEET TITLE	SIDEWALK PLAN
6	
SHEET NUMBER	6 OF 11

THE OFFICIAL RECORD OF THIS SHEET IS THE ELECTRONIC FILE DIGITALLY SIGNED AND SEALED UNDER RULE 61G15-23.004 F.A.C.