

RESOLUTION NO. 23-64

A RESOLUTION OF THE CITY OF PANAMA CITY BEACH, FLORIDA, APPROVING AN AGREEMENT WITH ALAN JAY FLEET SALES RELATING TO THE PURCHASE OF TWO 4WD CREW CAB TRUCKS FOR THE STORMWATER DIVISION, IN THE TOTAL AMOUNT OF \$122,444.

BE IT RESOLVED that the appropriate officers of the City are authorized to accept and deliver on behalf of the City that certain proposal between the City and Alan Jay Fleet Sales, relating to the purchase of a 2023 Chevy Silverado 4WD 4500 Medium Duty Crew Cab Utility Truck and a 2023 Toyota Tahoma 4WD Crew Cab Truck for the Stormwater Division, in the total amount of One Hundred Twenty-Two Thousand, Four Hundred Forty-Four Dollars and No Cents (\$122,444.00), in substantially the form **attached** as Exhibit A and presented to the Council today, with such changes, insertions or omissions as may be approved by the City Manager.

AND BE IT FURTHER RESOLVED that by accepting the proposal referenced above, that the City agrees to be bound to the same terms and conditions as were obtained by the City of Tallahassee through an advertised, competitive bidding process, RFP No.096-21-KM (Contract #5179), in the form **attached** as Exhibit B.

THIS RESOLUTION shall be effective immediately upon passage.

PASSED in regular session this 12th day of January, 2023.

CITY OF PANAMA CITY BEACH

By: 
Mark Sheldon, Mayor

ATTEST:


Lynne Fasone, City Clerk

Call Us first, for all of your Fleet Automotive, & Light Truck needs.

Quote

PHONE (800) ALANJAY (252-6529)		DIRECT 863-402-4234	WWW.ALANJAY.COM	43038-2
Corporate Office	2003 U.S. 27 South Sebring, FL 33870	MOBILE 863-381-3411	Mailing Address	P.O. BOX 9200 Sebring, FL 33871-9200
		FAX 863-402-4221		

ORIGINAL QUOTE DATE
12/16/2022

QUICK QUOTE SHEET

REVISED QUOTE DATE
12/16/2022

REQUESTING AGENCY	PANAMA CITY BEACH, CITY OF		
CONTACT PERSON	JEREMIAH JAGERS	EMAIL	Jeremiah.Jagers@pcbfl.gov
PHONE	850-348-6113	MOBILE	FAX

CONTRACT NUMBER 5179 - 2023 CITY OF TALLAHASSEE

MODEL	CK56043 R7M 1WT	MSRP	\$66,045.64
	2023 CHEVY SILVERADO 4500 MEDIUM DUTY CREW CAB 4WD 1WT 60"CA		

CUSTOMER ID	60"CA	GOVERNMENT PRICE	\$58,382.00
-------------	-------	------------------	-------------

includes \$100.00 Admin Fee per contract.

** All vehicles will be ordered white w/ darkest interior unless clearly stated otherwise on purchase order.

FACTORY OPTIONS	DESCRIPTION	PRICE
GAZ	EXTERIOR COLOR SUMMIT WHITE	\$0.00
H2Q	DARK ASH W TH JET BLACK INTERIOR ACCENTS, VINYL SEAT TRIM	\$0.00
1SD MIU	Engine, Duramax 6.6L Turbo-Diesel V8 B20 Diesel compatible with Rugged Duty Service Transmission, Automatic close-ratio 6 SPD with double overdrive, Allison, A1700RDS	\$285.00
R7N	5500 HD SERIES	\$0.00
SH1	2 ADDITIONAL KEYS FACTORY CUT NOT PROGRAMMED	\$40.00
AQQ	Remote Keyless Entry	\$170.00
8TN	Battery, top post threaded, battery jump start stud	\$49.00
DPN	Mirrors, outside heated power-adjustable vertical trailing, upper glass, manual folding and extending, black.	\$350.00
F59	Front stabilizer bar	\$170.00
FPF	DPF, diesel particulate filter, manual regeneration	\$245.00
G68	Shock Absorbers, rear	\$60.00
G86	Axle, limited slip, Dana Spicer Truetrac, torque proportioning limited slip	\$390.00
GR4	Rear suspension, 13,500 lbs. (6,123 kg) multi leaf, variable rate	\$24.00
GZG	GVWR, 19,500 lbs. (8845 kg)	\$2,250.00
HD2	Rear axle, 13,500 lb. (6,124 kg) Dana Spicer S14-110, single reduction	\$350.00
IOB	Audio system, Chevrolet Infotainment System with 7" diagonal color touch screen, AM/FM stereo with seek and scan and digital clock, includes Bluetooth streaming audio for music and select phones.	\$270.00
PTO	PIO, Power Take Off, engine control provisions	\$275.00
PWR	Wheels, 19.5" x 6.75", steel, Grey painted, 8-holes, hub piloted	\$75.00
V76	Recovery hooks, front, frame mounted, black (Not available with (T3A) front bumper with 4" extension.)	\$24.00

AFTERMARKET OPTIONS	DESCRIPTION	FACTORY OPTIONS	\$5,027.00
---------------------	-------------	-----------------	------------

K 6132D54 H46	(Silverado MD) PRICES INCLUDE THE FOLLOWING STANDARD FEATURES: 40" HIGH SIDE PACKS 14 GAUGE TWO SIDED A-40 GALVANNEAL STEEL SHELL EXCLUSIVE "RETURN FLANGE" FLOOR 20-GAUGE TWO-SIDED A-40 GALVANNEAL STEEL COMPARTMENT DOORS NEOPRENE COMPARTMENT DOOR SEALS CONTINUOUS STAINLESS STEEL HNGES AUTOMOTIVE QUALITY ROTARY-STYLE LATCHES ADJUSTABLE SECURITY DOOR RING STRIKERS INTER OR LATCH COVERS DOUBLE SPRING OVER CENTER DOOR RETAINER 250 LB CAPACITY ADJUSTABLE SHELVES OEM SPECIFIC INSTALLAT ON KITS-(MUST BE ORDERED SEPARATELY) SLAM LOCK TAILGATE INTERIOR LIGHT GUARDS SURFACE MOUNT REAR LIGHTS, LED S/T/T & B/U, BUILT IN REFLECTIVITY, UPGRADABLE (8) PATTERN STROBES-(MUST BE ORDERED SEPARATELY) ELECTRODEPOSITION PRIME PAINT * TWO (2) ADJUSTABLE DIVIDER SHELVES & DIVIDERS, STREET & CURB SIDE FRONT VERTICAL COMP. * TWO (2) ADJUSTABLE DIVIDER SHELVES & DIVIDERS, STREET AND CURB S DE SECOND FRONT VERTICAL COMP. * ONE (1) ADJUSTABLE DIV DER SHELF & DIVIDERS, STREET AND CURB SIDE FULL HEIGHT REAR VERTICAL COMPARTMENT * ONE (1) ADJUSTABLE DIVIDER SHELF & DIVIDERS, CURB SIDE HORIZONTAL COMPARTMENT. * AUTOMOTIVE QUALITY ROTARY LATCHES & GAS SPRING DOOR RETAINERS ON ALL VERTICAL DOORS, ONE (1) 12" SLAM TAILGATE. * LIGHT MOUNTING HOLES FOR KNAPHEIDE LIGHTS 94" WIDE GALVA-GRIP STRAIGHT BUMPER, PRIME - LOOSE. LED SURFACE MOUNT STOP/TURN/TAIL LIGHTS FOR STEEL SERVICE BODY (80" & WIDER BODY ALSO ORDER 20170980) - LOOSE. INSTALLATION KIT FOR STEEL SERVICE BODY 2019 & NEWER GM.		\$14,553.00
---------------	---	--	-------------

CONTRACT NUMBER 5179 - 2023 CITY OF TALLAHASSEE

45/55/6500 & NAVISTAR CV 60", 84", 108" & 120" CA - LOOSE. KNAP S/B WIDE BODY LIGHT 2020. CENTARI PRO WHITE TOPCOAT. PAINT REDUCER. CENTARI PRO ACTIVATOR (MEDIUM) REDUCER MEDIUM. PAINTING MATERIALS. SUPPLY ITEMS. (Includes 2nd Stage MSO, Weight Slip, & Completed Vehicle Certification.)

K CLV-SB	Class V Hitch for Service Body	\$970.00
K 7/4 WIRE	7 way flat camper trailer wiring with 4 prong flat	\$210.00
CAMERA-GM	Dealer installed factory ordered camera (REQUIRES SNS)	\$215.00
HD USOB-11-TB	HD Scorpion spray on bed liner applied inside cargo area, tops of boxes, and rear bumper of 11' utility body.	\$1,230.00
FS MPS62U-8	(8) Federal Signal MicroPulse Ultra dual color with (2) mounted in grille, (2) mounted to rear of vehicle, (4) mounted over wheel arches.	\$1,410.00
NO-TEMP	TEMP TAG NOT REQUESTED, CUSTOMER WILL HANDLE THEIR OWN TAG WORK.	\$0.00

5179-44

AFTERMARKET OPTIONS \$18,588.00

TRADE IN

TOTAL COST

\$81,997.00

YES WE TAKE TRADE INS *** ARE ABOUT MUNICIPAL FINANCING ***

\$0.00

TOTAL COST LESS TRADE IN(S)

QTY

1

\$81,997.00

Estimated Annual payments for 60 months paid in advance: \$18,363.96

Municipal finance for any essential use vehicle, requires lender approval, WAC.

Comments

ORDERED UNIT VIN: [VIN NA]

VEHICLE QUOTED BY

CHRIS WILSON

FLEET SALES MANAGER

chris.wilson@alanjay.com

"I Want to be Your Fleet Provider"

I appreciate the opportunity to submit this quotation. Please review it carefully. If there are any errors or changes, please feel free to contact me at any time. I am always happy to be of assistance.



ALAN JAY FLEET

SCOTT WILSON | 863-402-4234 | SCOTT.WILSON@ALANJAY.COM

Vehicle: [Fleet] 2023 Chevrolet Silverado MD (CK56043) 4WD Crew Cab Work Truck (✔ Complete)

Window Sticker

SUMMARY

[Fleet] 2023 Chevrolet Silverado MD (CK56043) 4WD Crew Cab Work Truck MSRP:\$63,205.00

Interior:Dark Ash seats with Jet Black interior accents, Vinyl seat trim

Exterior 1:Summit White

Exterior 2 No color has been selected.

Engine, Duramax 6.6L Turbo-Diesel V8, B20-Diesel compatible

Rugged Duty Service Transmission, Automatic close-ratio 6 SPD with double overdrive, Allison, A1700RDS

OPTIONS

CODE	MODEL	MSRP
CK56043	[Fleet] 2023 Chevrolet Silverado MD (CK56043) 4WD Crew Cab Work Truck	\$63,205.00
OPTIONS		
092	Rear axle, 4 30 ratio	\$0.00
1WT	Work Truck Preferred Equipment Group	\$0.00
5H1	Key system, 2 spare keys	\$45.00 ✕
9L3	Spare tire delete	\$0.00
AE7	Seats, front 40/20/40 split-bench, 3-passenger	\$0.00
AQQ	Remote Keyless Entry	\$175.00 ✕
BTN	Battery, top post threaded, battery jump start stud	\$50.00 ✕
DPN	Mirrors, outside heated power-adjustable vertical trailing, upper glass, manual-folding and extending, black.	\$355.00 ✕
F59	Front stabilizer bar	\$175.00 ✓
FNV	Wheelbase, 175" (444.5 cm), 60" CA	\$0.00
FPF	DPF, diesel particulate filter, manual regeneration	\$250.00 ✓
FTB	Front axle, 7,500 lb., Dana Spicer 60-256, single-reduction, front driving	\$0.00
G68	Shock Absorbers, rear	\$65.00 ✓
G86	Axle, limited slip, Dana Spicer Truetrac, torque proportioning limited slip	\$395.00 ✕
GAZ	Summit White	\$0.00

IP At the user's request, prices for this vehicle have been formulated on the basis of Initial Pricing for the vehicle, however GM cannot guarantee that Initial Pricing is available. This document contains information considered Confidential between GM and its Clients uniquely. The information provided is not intended for public disclosure. Prices, specifications, and availability are subject to change without notice, and do not include certain fees, taxes and charges that may be required by law or vary by manufacturer or region. Performance figures are guidelines only, and actual performance may vary. Photos may not represent actual vehicles or exact configurations. Content based on report preparer's input is subject to the accuracy of the input provided.
 Data Version 18147 Data Updated Dec 8 2022 6 50:00 PM PST



ALAN JAY FLEET

SCOTT WILSON | 863-402-4234 | SCOTT.WILSON@ALANJAY.COM

Vehicle: [Fleet] 2023 Chevrolet Silverado MD (CK56043) 4WD Crew Cab Work Truck (✓ Complete)

GR4	Rear suspension, 13,500 lb. (6,123 kg) multi-leaf, vari-rate	\$25.00	✓
GZG	GVWR, 19,500 lb. (8845 kg)	\$2,255.00	✓
H2Q	Dark Ash seats with Jet Black interior accents, Vinyl seat trim	\$0.00	
HD2	Rear axle, 13,500 lb. (6,124 kg) Dana Spicer S14-110, single reduction	\$355.00	✓
IOB	Audio system, 7" diagonal color touch-screen with Chevrolet Infotainment	\$275.00	✓
L5D	Engine, Duramax 6.6L Turbo-Diesel V8, B20-Diesel compatible	\$0.00	
MIU	Rugged Duty Service Transmission, Automatic close-ratio 6 SPD with double overdrive, Allison, A1700RDS	\$290.00	✓
PTO	Power Take Off, engine control provisions	\$280.00	✓
PWR	Wheels, 19.5" x 6.75", steel, Grey painted, 8-holes, hub piloted	\$80.00	✓
R6G	26,000 lb. GCWR (11,793 kg)	\$0.00	
R7N	5500 HD Series		Inc.
V76	Recovery hooks, front, frame-mounted, black	\$25.00	✓
VQ2	Fleet Processing Option	\$0.00	
XDK	Tires, front 225/70R19.5G highway blackwall Goodyear	\$0.00	
YAL	Tires, rear 225/70R19.5G highway blackwall Goodyear	\$0.00	
ZY1	Paint, solid	\$0.00	
—	Bluetooth for phone, personal cell phone connectivity to vehicle audio system		Inc.

SUBTOTAL	\$68,300.00
Adjustments Total	\$0.00
Tire Weight Tax	\$26.64
Destination Charge	\$1,795.00
TOTAL PRICE	\$70,121.64

At the user's request, prices for this vehicle have been formulated on the basis of Initial Pricing for the vehicle, however GM cannot guarantee that Initial Pricing is available. This document contains information considered Confidential between GM and its Clients uniquely. The information provided is not intended for public disclosure. Prices, specifications, and availability are subject to change without notice, and do not include certain fees, taxes and charges that may be required by law or vary by manufacturer or region. Performance figures are guidelines only, and actual performance may vary. Photos may not represent actual vehicles or exact configurations. Content based on report preparer's input is subject to the accuracy of the input provided.
Data Version 18147 Data Updated Dec 8, 2022 6:50:00 PM PST



ALAN JAY FLEET

SCOTT WILSON | 863-402-4234 | SCOTT.WILSON@ALANJAY.COM

Vehicle: [Fleet] 2023 Chevrolet Silverado MD (CK56043) 4WD Crew Cab Work Truck (✔ Complete)

Standard Equipment

Mechanical

GVWR, 16,500 lb. (7484 kg) (Silverado 4500 HD 4WD models require one of the following combinations: (1) (FTB) 7.5k front axle and (FTV) 7.5k front suspension and (FN1) 10k rear axle or (GL4) 11k rear axle and (GR3) 11k rear suspension. (2) (FTB) 7.5k front axle and (FTV) 7.5k front suspension and (HD1) 15k rear axle or (J27) 15.5k rear axle and (GR4) 13.5k rear suspension or (FU7) 15.5k rear suspension.) (STD)

Emissions, 50 state certification

Emissions, USA 50 State certified

Engine, Duramax 6.6L Turbo-Diesel V8, B20-Diesel compatible 350 hp @ 2700 rpm, 700 lb.-ft. torque @ 1600 rpm (STD)

Highway Service Transmission, Automatic close-ratio 6 SPD with double overdrive, Allison, A1700HS ratios: 3.10 1ST, 1.80 2ND, 1.40 3RD, 1.00 4TH, 0.70 5TH, 0.61 6TH Highway Series, 19.5K GVW & 26K GCW Max., requires PTX and park pawl. Available with GVWs less than or equal to 19.5K (Requires (C7Y) 14,001 lb. GVWR, (C5B) 15,000 lb. GVWR, (C7P) 16,000 lb. GVWR, (C7R) 16,500 lb. GVWR, (GZX) 17,500 lb. GVWR, (GZJ) 18,000 lb. GVWR or (GZG) 19,500 lb. GVWR. Requires (R6G) 26,000 lb. GCWR (11,793 kg)) (STD)

Rear axle, 4.30 ratio Max road speed: 75 MPH

Wheelbase, 175" (444.5 cm), 60" CA (Requires (FOC) 49" axle to end of frame. Not available with (G40) 12,000 lb., (GP1) 13,500 lb. or (GP8) 15,500 lb. rear air suspension, or (NPK) Exhaust System.) (STD)

Front axle, 7,500 lb., Dana Spicer 60-256, single-reduction, front driving

Front suspension, 7,500 lb. (3,402 kg) multi-leaf, includes shock absorbers

Rear axle, 11,000 lb. (4,999 kg) Dana Spicer S14-110, single reduction

Rear suspension, 11,000 lb. (4,990 kg) multi-leaf, vari-rate (STD)

Neutral-at-Stop Automatic transmission shifts to neutral when the service brake is depressed while the vehicle is at a complete stop, and remains in neutral until the service brake is released

Transmission shift control calibration, fuel sense Performance

Four wheel drive

Batteries, heavy-duty dual 1100 cold-cranking amps includes battery box mounted to left side under cab

Alternator, 150 amps

Trailer provisions, trailering wire harness only, trailer combined (Stop/Tail/Turn) connection socket and harness mounted at rear of frame.

Trailer brake controller, integrated

Incomplete vehicle

Axle to End of Frame, 49" (Requires wheelbase (EM1) 199" or (FNV) 175". Not available with (G40), (GP1) or (GP8) rear air suspension)

Axle, Open rear axle, non-locking rear

I At the user's request, prices for this vehicle have been formulated on the basis of Initial Pricing for the vehicle, however GM cannot guarantee that Initial Pricing is available. This document contains information considered Confidential between GM and its Clients uniquely. The information provided is not intended for public disclosure. Prices, specifications, and availability are subject to change without notice, and do not include certain fees, taxes and charges that may be required by law or vary by manufacturer or region. Performance figures are guidelines only, and actual performance may vary. Photos may not represent actual vehicles or exact configurations. Content based on report preparer's input is subject to the accuracy of the input provided.

Data Version: 18147. Data Updated: Dec 8, 2022 6:50:00 PM PST.



ALAN JAY FLEET

SCOTT WILSON | 863-402-4234 | SCOTT.WILSON@ALANJAY.COM

Vehicle: [Fleet] 2023 Chevrolet Silverado MD (CK56043) 4WD Crew Cab Work Truck (✓ Complete)

Mechanical

Axle lubricant, front, synthetic oil EmGard FE-75W-90

Axle lubricant, rear, synthetic oil EmGard FE -75W-90

Steering, power (Bosch S2 8014 Plus)

Brakes, hydraulic, heavy duty Bosch/Meritor/Wabco system with 4-channel (ABS) (Includes (J69) driveline park brake.)

Fuel tank, rear only, 40 gallon mounted between frame side rails and behind rear axle

Fuel, diesel B20

Capped Fuel Fill

Exhaust system, rear exit

Exhaust brake

Exterior

Wheels, 19 5" x 6 75", steel, Black painted, 8-holes, hub piloted (STD)

Tires, front 225/70R19 5G highway blackwall Goodyear Max Axle Load: 7,940 lb. (Requires (YAL) Tires, rear 225/70R19 5G highway blackwall Goodyear, Max Axle Load: 15,000 lb. or (YMF) Tires, rear 225/70R19 5G traction blackwall Goodyear, Max Axle Load: 15,000 lb.) (STD)

Tires, rear 225/70R19 5G highway blackwall Goodyear Max Axle Load: 15,000 lb. (STD)

Spare tire delete (STD)

Wheel, spare delete

Bumper, front, Black

Assist steps

Front fender extension, painted body color

Grille, base, molded in color, Black

Grille guard screen, insect protection (mounted behind grille)

Headlamps, halogen projector-beam

Lamps, cargo area, cab mounted with switch on center switch bank


Lamps, Smoked Amber roof marker

Lamps, rear, stop/turn/backup (1 piece assembly) with license plate light

Mirrors, outside high-visibility vertical camper-style, Black with manual folding and extension and lower convex spotter glass

Glass, solar absorbing, tinted

Antenna, fixed mast

 At the user's request, prices for this vehicle have been formulated on the basis of Initial Pricing for the vehicle, however GM cannot guarantee that Initial Pricing is available. This document contains information considered Confidential between GM and its Clients uniquely. The information provided is not intended for public disclosure. Prices, specifications, and availability are subject to change without notice, and do not include certain fees, taxes and charges that may be required by law or vary by manufacturer or region. Performance figures are guidelines only, and actual performance may vary. Photos may not represent actual vehicles or exact configurations. Content based on report preparer's input is subject to the accuracy of the input provided.
Data Version: 18147 Data Updated Dec 8, 2022 6:50:00 PM PST.



ALAN JAY FLEET

SCOTT WILSON | 863-402-4234 | SCOTT.WILSON@ALANJAY.COM

Vehicle: [Fleet] 2023 Chevrolet Silverado MD (CK56043) 4WD Crew Cab Work Truck (✓ Complete)

Exterior

Door handles, Black

Entertainment

Audio system, 4.2" diagonal color display AM/FM stereo with USB port and auxiliary jack (Requires (AE7) front 40/20/40 split-bench seat. Not available with (UE1) OnStar or (U2K) SiriusXM Radio.) (STD)

SiriusXM, delete

6-speaker audio system

Interior

Seats, front 40/20/40 split-bench, 3-passenger driver and front passenger recline with outboard head restraints and center fold-down armrest with storage. Vinyl has fixed lumbar and cloth has manually adjustable driver lumbar. (STD)

Interior trim, Jet Black/Dark Ash (Required and only available with (H2Q/H2R) Dark Ash seats with Jet Black interior accents.)

Seat trim, Vinyl

Seat, rear 60/40 folding bench (folds up), 3-passenger (includes child seat top tether anchor)

Seat Belt, Black

Floor covering, Graphite-colored rubberized-vinyl

Steering wheel, urethane

Steering column, manual Tilt-Wheel

Instrumentation, 6-gauge cluster featuring speedometer, fuel level, engine temperature, tachometer, voltage and oil pressure

Speedometer, miles/kilometers

Driver Information Center, 3.5-inch diagonal monochromatic display, provides warning messages and basic vehicle information

Upfitter switch kit provides up to 4-30 amp circuits to facilitate installation of aftermarket electrical accessories located on the instrument panel

Windows, power with driver express up and down and express down on all other windows

Door locks, power

Cruise control, steering wheel-mounted

Air conditioning, single-zone

Mirror, inside rearview manual day/night

Visors, driver and front passenger, vinyl

Assist handle, front passenger and driver on A-pillars

At the user's request, prices for this vehicle have been formulated on the basis of Initial Pricing for the vehicle, however GM cannot guarantee that Initial Pricing is available. This document contains information considered Confidential between GM and its Clients uniquely. The information provided is not intended for public disclosure. Prices, specifications, and availability are subject to change without notice, and do not include certain fees, taxes and charges that may be required by law or vary by manufacturer or region. Performance figures are guidelines only, and actual performance may vary. Photos may not represent actual vehicles or exact configurations. Content based on report preparer's input is subject to the accuracy of the input provided.
Data Version: 18147 Data Updated: Dec 8 2022 6:50:00 PM PST



ALAN JAY FLEET

SCOTT WILSON | 863-402-4234 | SCOTT.WILSON@ALANJAY.COM

Vehicle: [Fleet] 2023 Chevrolet Silverado MD (CK56043) 4WD Crew Cab Work Truck (✔ Complete)

Safety-Mechanical

Brake, parking, driveline park brake system

StabiliTrak, Electronic Stability Control System with Traction Control includes Electronic Trailer Sway Control and Hill Start Assist

Traction control

Safety-Exterior

Daytime Running Lamps, with automatic exterior lamp control

Safety-Interior

Airbags, Single-stage frontal airbags for driver and front outboard passenger; Seat-mounted side-impact airbags for driver and front outboard passenger, Head-curtain airbags for front and rear outboard seating positions; (Always use seat belts and child restraints. Children are safer when properly secured in a rear seat in the appropriate child restraint. See the Owner's Manual for more information.)

Airbag deactivation switch, frontal passenger-side (Included and only available with (AY0) airbags.)

OnStar, delete

Rear Vision Camera, display integrated into Radio (Shipped loose in cab for upfitter installation.)

Horn, single-note

WARRANTY

Warranty Note: <<< Preliminary 2023 Warranty >>>

Basic Years: 3

Basic Miles/km: 36,000

Drivetrain Years (Allison Basic): 5

Drivetrain Years: 5

Drivetrain Miles/km (Allison Basic): Unlimited

Drivetrain Miles/km: 100,000

Drivetrain Note: Duramax Diesel

Corrosion Years (Rust-Through): 6

Corrosion Years: 3

Corrosion Miles/km (Rust-Through): 100,000

Corrosion Miles/km: 36,000

Roadside Assistance Years: 5

Roadside Assistance Miles/km: 100,000

Maintenance Note: 1 Year/1 Visit

At the user's request, prices for this vehicle have been formulated on the basis of Initial Pricing for the vehicle, however GM cannot guarantee that Initial Pricing is available. This document contains information considered Confidential between GM and its Clients uniquely. The information provided is not intended for public disclosure. Prices, specifications, and availability are subject to change without notice, and do not include certain fees, taxes and charges that may be required by law or vary by manufacturer or region. Performance figures are guidelines only, and actual performance may vary. Photos may not represent actual vehicles or exact configurations. Content based on report preparer's input is subject to the accuracy of the input provided.

Data Version: 18147 Data Updated: Dec 8, 2022 6:50:00 PM PST



ALAN JAY FLEET

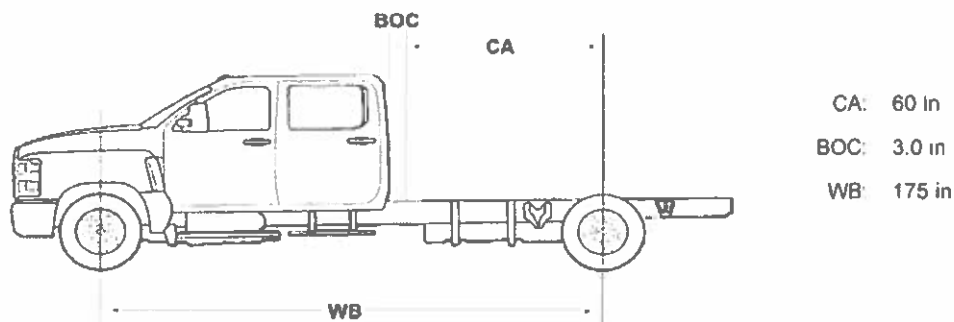
SCOTT WILSON | 863-402-4234 | SCOTT.WILSON@ALANJAY.COM

Vehicle: [Fleet] 2023 Chevrolet Silverado MD (CK56043) 4WD Crew Cab Work Truck (✓ Complete)

Weight Distribution

SPECIFICATION SUMMARY

Model #	CK56043
Truck/Tractor	
Wheelbase (WB)	175 in
Cab to Axle (CA)	60 in
Cab to Body/Swing Clear (BOC)	3.0 in
Body Length	0.0 ft
Body Weight	0.0 lbs
Cargo Weight	0.00 lbs
Front GAWR	7500 lbs
Rear GAWR	13500 lbs
GVWR	19500.00 lbs



Fr%: 64.58 Rr%: 35.42
Front Wt: 5914.00 lbs Rear Wt: 3243.00 lbs

GAWR/GVWR	GVW	Remaining Payload Wt
19500.00 lbs	9157.00 lbs	10,343.00 lbs

At the user's request, prices for this vehicle have been formulated on the basis of Initial Pricing for the vehicle, however GM cannot guarantee that Initial Pricing is available. This document contains information considered Confidential between GM and its Clients uniquely. The information provided is not intended for public disclosure. Prices, specifications, and availability are subject to change without notice, and do not include certain fees, taxes and charges that may be required by law or vary by manufacturer or region. Performance figures are guidelines only, and actual performance may vary. Photos may not represent actual vehicles or exact configurations. Content based on report preparer's input is subject to the accuracy of the input provided.
Data Version: 18147. Data Updated: Dec 8, 2022 6:50:00 PM PST.



ALAN JAY FLEET

SCOTT WILSON | 863-402-4234 | SCOTT.WILSON@ALANJAY.COM

Vehicle: [Fleet] 2023 Chevrolet Silverado MD (CK56043) 4WD Crew Cab Work Truck (✓ Complete)

Weight Distribution

SPECIFICATION DETAILS

	Front Axle	Rear Axle	Total
Actual			
Chassis	5564.00 lbs	3243.00 lbs	8807.00 lbs
Body	0.00 lbs	0.00 lbs	0.0 lbs
Payload	0.00 lbs	0.00 lbs	0.00 lbs
Trailer			0.0 lbs
Totals	5914.00 lbs	3243.00 lbs	9157.00 lbs
Capacity			
Axle	7500 lbs	13500 lbs	21000.00 lbs
Suspension	7500 lbs	13500 lbs	21,000.00 lbs
Tire	7940 lbs	15000 lbs	22940.00
Total Axle Rating	7500.00 lbs	13500.00 lbs	21000.00 lbs

Geared Road Speed

SPECIFICATION SUMMARY

Model #	CK56043
Engine Order Code	L5D
Model Manufacturer	Duramax
Type	Turbocharged Diesel V8
Displacement	6.6L/402
Horsepower	350 @ 2700
Starting Torque	N/A
Transmission Order Code	MIU
Model Manufacturer	Allison
Type	6-Speed Automatic
Second Hip Room	60.24 in
Rear Axle Order Code	HD2
Model Manufacturer	A1700RDS Allison

At the user's request, prices for this vehicle have been formulated on the basis of Initial Pricing for the vehicle, however GM cannot guarantee that Initial Pricing is available. This document contains information considered Confidential between GM and its Clients uniquely. The information provided is not intended for public disclosure. Prices, specifications, and availability are subject to change without notice, and do not include certain fees, taxes and charges that may be required by law or vary by manufacturer or region. Performance figures are guidelines only, and actual performance may vary. Photos may not represent actual vehicles or exact configurations. Content based on report preparer's input is subject to the accuracy of the input provided.
Data Version: 18147, Data Updated: Dec 8, 2022 6:50:00 PM PST.



ALAN JAY FLEET

SCOTT WILSON | 863-402-4234 | SCOTT.WILSON@ALANJAY.COM

Vehicle: [Fleet] 2023 Chevrolet Silverado MD (CK56043) 4WD Crew Cab Work Truck (Complete)

SPECIFICATION SUMMARY

Weight Rating	13500 lbs
Ratio:1	4.30
Rear Tires	225/70R19.5G
Revolutions/Mile Front	640
Revolutions/Mile Rear	640
Surface Type	Concrete
Desired Grade	2%

Geared Road Speed



0% Grade in 4th gear

Actual Loaded Speed



2% Grade in 4th gear

Note: Simulated speedometer appearance may not correspond with selected equipment.

Gradeability Chart

SPECIFICATION SUMMARY

Model #	CK56043
Engine Order Code	L5D
Model Manufacturer	Duramax
Type	Turbocharged Diesel V8
Displacement	6.6L/402
Horsepower	350 @ 2700
Starting Torque	N/A
Transmission Order Code	MIU
Model Manufacturer	Allison
Type	6-Speed Automatic
Second Hip Room	60.24 in
Rear Axle Order Code	HD2

At the user's request, prices for this vehicle have been formulated on the basis of Initial Pricing for the vehicle, however GM cannot guarantee that Initial Pricing is available. This document contains information considered Confidential between GM and its Clients uniquely. The information provided is not intended for public disclosure. Prices, specifications, and availability are subject to change without notice, and do not include certain fees, taxes and charges that may be required by law or vary by manufacturer or region. Performance figures are guidelines only, and actual performance may vary. Photos may not represent actual vehicles or exact configurations. Content based on report preparer's input is subject to the accuracy of the input provided.
Data Version: 18147 | Data Updated: Dec 5, 2022 6:50:00 PM PST.



ALAN JAY FLEET

SCOTT WILSON | 863-402-4234 | SCOTT.WILSON@ALANJAY.COM

Vehicle: [Fleet] 2023 Chevrolet Silverado MD (CK56043) 4WD Crew Cab Work Truck (✓ Complete)

SPECIFICATION SUMMARY

Model Manufacturer	A1700RDS Allison
Weight Rating	13500 lbs
Ratio:1	4.30
Rear Tires	225/70R19.5G
Revolutions/Mile Front	640
Revolutions/Mile Rear	640
Surface Type	Concrete
Desired Grade	2%



Turning Circle

SPECIFICATION SUMMARY

Model #	CK56043
Front Axle Order Code	FTB
Capacity (lbs)	7500 lbs
Wheelbase Order Code	FNV
Wheelbase (in)	175 in
Front Wheel Order Code	
Size/Type (in)	19.5 x 6.75 in
Front Tire Order Code	XDK
Size/Type	225/70R19.5G

At the user's request, prices for this vehicle have been formulated on the basis of Initial Pricing for the vehicle, however GM cannot guarantee that Initial Pricing is available. This document contains information considered Confidential between GM and its Clients uniquely. The information provided is not intended for public disclosure. Prices, specifications, and availability are subject to change without notice, and do not include certain fees, taxes and charges that may be required by law or vary by manufacturer or region. Performance figures are guidelines only, and actual performance may vary. Photos may not represent actual vehicles or exact configurations. Content based on report preparer's input is subject to the accuracy of the input provided.
Data Version: 18147. Data Updated: Dec 8, 2022 6:50:00 PM PST



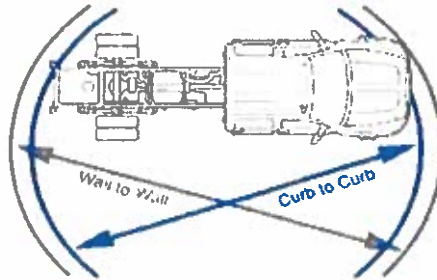
ALAN JAY FLEET

SCOTT WILSON | 863-402-4234 | SCOTT.WILSON@ALANJAY.COM

Vehicle: [Fleet] 2023 Chevrolet Silverado MD (CK56043) 4WD Crew Cab Work Truck (✔ Complete)

Wall to Wall (ft): 56.4 ft

Wall to Wall diameter is measured from the outermost part of the cab



Curb to Curb (ft): 54.8 ft

Curb to Curb diameter is measured from the outside of the front tire.

At the user's request, prices for this vehicle have been formulated on the basis of Initial Pricing for the vehicle, however GM cannot guarantee that Initial Pricing is available. This document contains information considered Confidential between GM and its Clients uniquely. The information provided is not intended for public disclosure. Prices, specifications, and availability are subject to change without notice, and do not include certain fees, taxes and charges that may be required by law or vary by manufacturer or region. Performance figures are guidelines only, and actual performance may vary. Photos may not represent actual vehicles or exact configurations. Content based on report preparer's input is subject to the accuracy of the input provided.
Data Version: 18147. Data Updated: Dec 8, 2022 6:50:00 PM PST



Knapheide Truck Equipment - Southeast
 2900 N.W. 73rd Street
 Miami FL 33147
 Phone: 305-691-9280
 Fax: 305-693-8267
 www.miami.knapheide.com

QUOTATION

Quote ID: FC00014383

Page 1 of 3

Customer: ALAN JAY CHEVROLET CADILLAC
 5330 US HIGHWAY 27 SOUTH
 FLEET ACCOUNTING
 SEBRING FL 33870

Quote Number: FC00014383

Quote Date: 12/16/2022

Quote valid until: 1/15/2023



Contact:
 Phone: 863-402-4200
 Fax: 1-863-402-4221

By: Prepared fcid
 Salesperson: FRANK CID
 PO#:

Enduser:

Make:	Model:	Year:	Single/Dual:
Cab Type:	Wheelbase:	Cab-to-Axle:	VIN:

QTY	PART NUMBER	DESCRIPTION	UNIT PRICE	AMOUNT
1		11' DRW UTILITY FOR MD TRUCK.	\$13,236.00	\$13,236.00
1	KNAP 6132D54H46	PRICES INCLUDE THE FOLLOWING STANDARD FEATURES: 40" HIGH SIDE PACKS 14-GAUGE TWO-SIDED A-40 GALVANNEAL STEEL SHELL EXCLUSIVE "RETURN FLANGE" FLOOR 20-GAUGE TWO-SIDED A-40 GALVANNEAL STEEL COMPARTMENT DOORS NEOPRENE COMPARTMENT DOOR SEALS CONTINUOUS STAINLESS STEEL HINGES AUTOMOTIVE QUALITY ROTARY-STYLE LATCHES ADJUSTABLE SECURITY DOOR RING STRIKERS INTERIOR LATCH COVERS DOUBLE-SPRING OVER-CENTER DOOR RETAINER 250-LB CAPACITY ADJUSTABLE SHELVES OEM SPECIFIC INSTALLATION KITS-(MUST BE ORDERED SEPARATELY) SLAM LOCK TAILGATE INTERIOR LIGHT GUARDS SURFACE MOUNT REAR LIGHTS, LED S/T/T & B/U, BUILT IN REFLECTIVITY, UPGRADABLE (8) PATTERN STROBES-(MUST BE ORDERED SEPARATELY) ELECTRODEPOSITION PRIME PAINT * TWO (2) ADJUSTABLE DIVIDER SHELVES & DIVIDERS, STREET & CURB SIDE FRONT VERTICAL COMP. * TWO (2) ADJUSTABLE DIVIDER SHELVES & DIVIDERS, STREET AND CURB SIDE SECOND FRONT VERTICAL COMP. * ONE (1) ADJUSTABLE DIVIDER SHELF & DIVIDERS, STREET AND CURB SIDE FULL HEIGHT REAR VERTICAL COMPARTMENT * ONE (1) ADJUSTABLE DIVIDER SHELF & DIVIDERS, CURB SIDE HORIZONTAL COMPARTMENT * AUTOMOTIVE QUALITY ROTARY LATCHES & GAS SPRING DOOR RETAINERS ON ALL VERTICAL DOORS, ONE (1) 12" SLAM TAILGATE * LIGHT MOUNTING HOLES FOR KNAPHEIDE LIGHTS	x 10% \$1,323.60 \$14,559.60 max estimate quoted: \$14,553.00 ✓ cof	
1	KNAP 20103410	94" WIDE GALVA-GRIP STRAIGHT BUMPER, PRIME - LOOSE		
1	KNAP 20128850	LED SURFACE MOUNT STOP/TURN/TAI LIGHTS FOR STEEL SERVICE BODY (80" & WIDER BODY ALSO ORDER 20170980) - LOOSE		



Knapheide Truck Equipment - Southeast
 2900 N.W. 73rd Street
 Miami FL 33147
 Phone: 305-691-9280
 Fax: 305-693-8267
 www.miami.knapheide.com

QUOTATION

Quote ID: FC00014383

Page 2 of 3

QTY	PART NUMBER	DESCRIPTION	UNIT PRICE	AMOUNT
1	KNAP 33456590	INSTALLATION KIT FOR STEEL SERVICE BODY 2019 & NEWER GM 45/55/6500 & NAVISTAR CV 60", 84", 108" & 120" CA - LOOSE		
1	EWB 20170980	KNAP S/B WIDE BODY LIGHT 2020		
5	DUPO 15P85002	CENTARI PRO WHITE TOPCOAT		
2	DUPO 15385S	PAINT REDUCER		
2	DUPO 15305S	CENTARI PRO ACTIVATOR (MEDIUM)		
2	SHER SW212	REDUCER MEDIUM		
1	PAIN MAT	PAINTING MATERIALS		
1	MISC SUPPLIES	SUPPLY ITEMS		

Quote Total: \$13,236.00

Discount: \$0.00

Total Due(Sales tax not included): \$13,236.00

The following options may be added:

QUANTITY	DESCRIPTION	PRICE EACH	AMOUNT	ADD TO QUOTE
				Yes / No

Notes:

This Quote is subject to the following terms and conditions:

Credit Card Policy

We do not accept credit cards for payment of any order in excess of \$3,000.00. For other orders, we do accept MasterCard, American Express, Visa and Discover cards for payment.

Pricing Policy

- Price Quotation is good on orders received through the expiration date.
- Pricing quoted applies to chassis make/model originally provided and quantity quoted. Any change may result in price change.
- Orders are subject to all applicable state, local and federal excise taxes. Applicable taxes will be applied on final billing to customer upon completion of order
- Knapheide Truck Equipment must be in possession of the vehicle for this order within 90 days of quote acceptance or the order can be subject to price adjustments due to cost increases for materials, labor, and shop supplies

Payment Policy

- Payment Terms are due upon receipt of signed quote unless prior credit agreement has been established at the time of order.
- Payment terms for customers with an established credit account will be Net 30 from date of invoice.
- Knapheide has right to assess late charges at 1.5% per month on all invoices that are 60 days or more past due.

Return Policy

- All sales are final. Purchased parts or products are non returnable.

Cancellation Policy

- Payment is due in full upon cancellation of any orders for non-stocked parts or products (provided part/product has been ordered by Knapheide) and upon cancellation of installation orders, once product installation has begun

Customer agrees and understands this Quote is an offer to sell subject to the terms and conditions above and any additional terms or modifications are hereby objected to, unless mutually agreed upon in writing by Customer and Knapheide. The undersigned represents and warrants that he/she is duly authorized to sign below on behalf of Customer and thereby accepts offer and Knapheide



Knapheide Truck Equipment - Southeast
2900 N.W. 73rd Street
Miami FL 33147
Phone: 305-691-9280
Fax: 305-693-8267
www.miami.knapheide.com

QUOTATION

Quote ID: FC00014383

Page 3 of 3

will begin processing the order.

Knapheide Truck Equipment Center is not responsible for loss of or damage to the vehicle due to or arising from fire, weather, theft or any other cause except the sole negligence of Knapheide Truck Equipment Center. Knapheide Truck Equipment Center is not responsible for any loss or damage to articles of personal property that have been left in the vehicle or for loss or damage to bodies, trailers or special equipment, including any cargo, materials or supplies carried on or in such bodies, trailers or special equipment, whatever the cause.

Customer must fill out the information below before the order can be processed...

Signature & Print Accepted by:	
Date:	
P.O. number:	Dealer Code:



Call Us first, for all of your Fleet Automotive, & Light Truck needs.

Quote

PHONE (800) ALANJAY (252-6529)	DIRECT 863-385-9610	WWW.ALANJAY.COM	42908-1
Corporate Office 2003 U.S. 27 South Sebring, FL 33870	MOBILE 904-838-4999	Mailing Address P.O. BOX 9200 Sebring, FL 33871-9200	
	FAX 863-402-4221		

ORIGINAL QUOTE DATE 12/9/2022

QUICK QUOTE SHEET

REVISED QUOTE DATE 12/9/2022

REQUESTING AGENCY **PANAMA CITY BEACH, CITY OF**
 CONTACT PERSON **JEREMIAH JAGERS** EMAIL Jeremiah.Jagers@pcbfl.gov
 PHONE **850-348-6113** MOBILE FAX

CONTRACT NUMBER 5179 - 2023 CITY OF TALLAHASSEE

MODEL **7540** MSRP **\$37,920.00**
2023 TOYOTA TACOMA DOUBLE CAB V6 SR5 4WD 5' BED

CUSTOMER ID GOVERNMENT PRICE **\$36,732.00** ✓
+ includes \$100 Admin Fee.

BED LENGTH **5' BED**

** All vehicles will be ordered white w/ darkest interior unless clearly stated otherwise on purchase order.

FACTORY OPTIONS	DESCRIPTION	PRICE
0040	SUPER WHITE EXTERIOR	\$0.00
FC14	CEMENT FABRIC SEAT TRIM.	\$0.00
3.5L	Engine: 3.5L V6 DOHC -inc: 24-valve D-4S injection Atkinson cycle-capable w/Dual Variable Valve Timing w/Intelligence (Dual VVT-i) and stop and start engine system WITH Direct-Shift 8-Speed Automatic -inc: Electronically controlled transmission.	\$0.00
MR10	Toyota All Weather Floor Mats	\$325.00 ✓
AFTERMARKET OPTIONS		\$325.00
FS MPS62U-4	(4) Federal Signal MicroPulse Ultra dual color with (2) mounted in grille and (2) mounted to rear of vehicle (AMBER/WHITE).	\$705.00 ✓
TK FTC LEER550-SB	LEER 550 model low-profile fiberglass tonneau cover, short bed, painted to match cab of vehicle.	\$2,685.00 ✓
NO-TEMP	TEMP TAG NOT REQUESTED, CUSTOMER WILL HANDLE THEIR OWN TAG WORK.	\$0.00
AFTERMARKET OPTIONS		\$3,390.00

TRADE IN **TOTAL COST** **\$40,447.00**
YES WE TAKE TRADE INS ~~~ ASK ABOUT MUNICIPAL FINANCING ~~~ \$0.00 ✓

TOTAL COST LESS TRADE IN(S) QTY 1 \$40,447.00 ✓

Estimated Annual payments for 60 months paid in advance: **\$9,058.46**
 Municipal finance for any essential use vehicle, requires lender approval, WAC.

Comments **ORDERED UNIT VIN: [VIN NA]**

VEHICLE QUOTED BY **CHRISTY SELF** GOVERNMENT ACCOUNT MANAGER christy.self@alanjay.com

"I Want to be Your Fleet Provider"

I appreciate the opportunity to submit this quotation Please review it carefully. If there are any errors or changes, please feel free to contact me at any time. I am always happy to be of assistance



ALAN JAY FLEET

SCOTT WILSON | 863-402-4234 | SCOTT.WILSON@ALANJAY.COM

Vehicle: [Fleet] 2022 Toyota Tacoma 4WD (7540) SR5 Double Cab 5' Bed V6 AT (SE) (✔ Complete)

Window Sticker

SUMMARY

[Fleet] 2022 Toyota Tacoma 4WD (7540) SR5 Double Cab 5' Bed V6 AT (SE) MSRP: \$36,305.00

Interior: Black, Fabric Seat Trim (FC)

Exterior 1: White

Exterior 2: No color has been selected

OPTIONS

CODE	MODEL	MSRP
7540	[Fleet] 2022 Toyota Tacoma 4WD (7540) SR5 Double Cab 5' Bed V6 AT (SE)	\$36,305.00
	OPTIONS	
040	White	\$0.00
AL	Wheels: 16" x 7J Silver Alloy	\$0.00
FC28	Black, Fabric Seat Trim (FC)	\$0.00
MR10	Toyota All Weather Floor Mats	\$330.00
SL	SR5 Package	\$0.00
SUBTOTAL		\$36,305.00
	Adjustments Total	\$0.00
	Destination Charge	\$1,215.00
	TOTAL PRICE	\$37,520.00

FUEL ECONOMY

Est City: 18 MPG

Est Highway: 22 MPG

Est Highway Cruising Range: 464.20 mi

This document contains information considered Confidential between GM and its Clients uniquely. The information provided is not intended for public disclosure. Prices, specifications, and availability are subject to change without notice, and do not include certain fees, taxes and charges that may be required by law or vary by manufacturer or region. Performance figures are guidelines only, and actual performance may vary. Photos may not represent actual vehicles or exact configurations. Content based on report preparer's input is subject to the accuracy of the input provided.

Data Version: 16622 Data Updated: May 31, 2022 6:29:00 PM PDT



ALAN JAY FLEET

SCOTT WILSON | 863-402-4234 | SCOTT.WILSON@ALANJAY.COM

Vehicle: [Fleet] 2022 Toyota Tacoma 4WD (7540) SR5 Double Cab 5' Bed V6 AT (SE) (✓ Complete)

Standard Equipment

Mechanical

- Engine: 3.5L Atkinson-Cycle V6 -inc: VVT-iW wider intake and VVT-i exhaust
- Transmission w/Oil Cooler
- Transmission: 6-Speed Automatic -inc: Electronically controlled w/intelligence
- Electronic Transfer Case
- Part-Time Four-Wheel Drive
- Axle Ratio: 3.91
- Engine Oil Cooler
- Battery w/Run Down Protection
- 130 Amp Alternator
- Class IV Towing Equipment -inc: Hitch and Trailer Sway Control
- Trailer Wiring Harness
- 1 Skid Plate
- 1155# Maximum Payload
- GVWR: 5,600 lbs
- Gas-Pressurized Shock Absorbers
- Front Anti-Roll Bar
- Hydraulic Power-Assist Speed-Sensing Steering
- 21.1 Gal. Fuel Tank
- Single Stainless Steel Exhaust
- Auto Locking Hubs
- Double Wishbone Front Suspension w/Coil Springs
- Leaf Rear Suspension w/Leaf Springs
- Front Disc/Rear Drum Brakes w/4-Wheel ABS, Front Vented Discs, Brake Assist, Hill Descent Control and Hill Hold Control
- Brake Actuated Limited Slip Differential

Exterior

- Wheels: 16" x 7J Silver Alloy (STD)
- Regular Composite Box Style
- Tires: P245/75R16 AS

This document contains information considered Confidential between GM and its Clients uniquely. The information provided is not intended for public disclosure. Prices, specifications, and availability are subject to change without notice, and do not include certain fees, taxes and charges that may be required by law or vary by manufacturer or region. Performance figures are guidelines only, and actual performance may vary. Photos may not represent actual vehicles or exact configurations. Content based on report preparer's input is subject to the accuracy of the input provided.

Data Version: 16622. Data Updated: May 31, 2022 6:29:00 PM PDT



ALAN JAY FLEET

SCOTT WILSON | 863-402-4234 | SCOTT.WILSON@ALANJAY.COM

Vehicle: [Fleet] 2022 Toyota Tacoma 4WD (7540) SR5 Double Cab 5' Bed V6 AT (SE) (✓ Complete)

Exterior

- Steel Spare Wheel
- Full-Size Spare Tire Stored Underbody w/Crankdown
- Clearcoat Paint
- Body-Colored Front Bumper w/1 Tow Hook
- Chrome Rear Step Bumper w/Black Rub Strip/Fascia Accent
- Black Side Windows Trim, Black Front Windshield Trim and Black Rear Window Trim
- Body-Colored Door Handles
- Color-Keyed Overfenders
- Body-Colored Power Side Mirrors w/Manual Folding
- Variable Intermittent Wipers
- Power Sliding Rear Window w/Privacy Glass
- Fully Galvanized Steel Panels
- Bar Gray Ring Chrome Front Grille
- Tailgate Rear Cargo Access
- Manual Tailgate/Rear Door Lock
- Integrated Storage
- Headlights-Automatic Highbeams
- Auto Off Projector Beam Halogen Auto High-Beam Headlamps
- Daytime Running Lamps -inc black bezel
- Front Fog Lamps -inc driving lamps

Entertainment

- Radio w/Seek-Scan, Clock, Speed Compensated Volume Control and Steering Wheel Controls
- Radio. AM/FM Radio -inc 6 speakers, 7" high-resolution touch-screen display, auxiliary port, USB media port, iPod connectivity and control, advanced voice recognition, Bluetooth hands-free phone capability, phone book access and music streaming, Scout GPS Link compatible, Siri Eyes Free, SiriusXM satellite radio w/complimentary SiriusXM Satellite Radio All Access w/3 month trial subscription included, Apple CarPlay, Android Auto, Amazon Alexa and HD traffic and weather
- Integrated Roof Antenna
- 2 LCD Monitors In The Front

Interior

- Front Seats -inc: 8-way power adjustable driver seat w/lumbar support and 4-way manual passenger seat
- Driver Seat

This document contains information considered Confidential between GM and its Clients unquely. The information provided is not intended for public disclosure. Prices, specifications, and availability are subject to change without notice, and do not include certain fees, taxes and charges that may be required by law or vary by manufacturer or region. Performance figures are guidelines only, and actual performance may vary. Photos may not represent actual vehicles or exact configurations. Content based on report preparer's input is subject to the accuracy of the input provided.

Data Version 16622 Data Updated May 31, 2022 6:29:00 PM PDT



ALAN JAY FLEET

SCOTT WILSON | 863-402-4234 | SCOTT.WILSON@ALANJAY.COM

Vehicle: [Fleet] 2022 Toyota Tacoma 4WD (7540) SR5 Double Cab 5' Bed V6 AT (SE) (✓ Complete)

Interior

Passenger Seat

60-40 Folding Split-Bench Front Facing Flip Forward Cushion/Seatback Rear Seat

Manual Tilt/Telescoping Steering Column

Gauges -inc: Speedometer, Odometer, Engine Coolant Temp, Tachometer, Trip Odometer and Trip Computer

Power Rear Windows

Wi-Fi Connect with up to 2GB within 3-month trial Mobile Hotspot Internet Access

Leather/Metal-Look Steering Wheel

Front Cupholder

Rear Cupholder

Remote Keyless Entry w/Integrated Key Transmitter, Illuminated Entry and Panic Button

Cruise Control w/Steering Wheel Controls

Distance Pacing

Manual Air Conditioning

HVAC -inc: Underseat Ducts

Locking Glove Box

Driver Foot Rest

Full Cloth Headliner

Cloth Door Trim Insert

Urethane Gear Shifter Material

Interior Trim -inc: Metal-Look Door Panel Insert, Metal-Look Console Insert and Chrome/Metal-Look Interior Accents

Fabric Seat Trim (FC)

Vanity w/Driver And Passenger Auxiliary Mirror

Day-Night Auto-Dimming Rearview Mirror

Full Floor Console w/Covered Storage, Mini Overhead Console w/Storage and 2 12V DC Power Outlets

Front Map Lights

Fade-To-Off Interior Lighting

Full Carpet Floor Covering

Instrument Panel Bin, Interior Concealed Storage, Driver / Passenger And Rear Door Bins and 2nd Row Underseat Storage

Power 1st Row Windows w/Driver 1-Touch Down

This document contains information considered Confidential between GM and its Clients uniquely. The information provided is not intended for public disclosure. Prices, specifications, and availability are subject to change without notice, and do not include certain fees, taxes and charges that may be required by law or vary by manufacturer or region. Performance figures are guidelines only, and actual performance may vary. Photos may not represent actual vehicles or exact configurations. Content based on report preparer's input is subject to the accuracy of the input provided.

Data Version: 16622. Data Updated: May 31, 2022 6:29:00 PM PDT



ALAN JAY FLEET

SCOTT WILSON | 863-402-4234 | SCOTT.WILSON@ALANJAY.COM

Vehicle: [Fleet] 2022 Toyota Tacoma 4WD (7540) SR5 Double Cab 5' Bed V6 AT (SE) (✓ Complete)

Interior

- Delayed Accessory Power
- Power Door Locks w/Autolock Feature
- Outside Temp Gauge
- Analog Appearance
- Trip Computer
- Seats w/Cloth Back Material
- Front Center Armrest
- Manual Anti-Whiplash Adjustable Front Head Restraints and Manual Adjustable Rear Head Restraints
- Engine Immobilizer
- 2 12V DC Power Outlets
- Air Filtration

Safety-Mechanical

- Electronic Stability Control (ESC)
- ABS And Driveline Traction Control

Safety-Exterior

- Side Impact Beams

Safety-Interior

- Dual Stage Driver And Passenger Seat-Mounted Side Airbags
- Safety Connect with 1-year trial Emergency Sos
- Toyota Safety Sense P (TSS-P)
- Lane Departure Alert (LDA) Lane Departure Warning
- Collision Mitigation-Front
- Driver Monitoring-Alert
- Low Tire Pressure Warning
- Curtain 1st And 2nd Row Airbags
- Airbag Occupancy Sensor
- Driver And Passenger Knee Airbag
- Dual Stage Driver And Passenger Front Airbags
- Rear Child Safety Locks
- Outboard Front Lap And Shoulder Safety Belts -inc: Rear Center 3 Point, Height Adjusters and Pretensioners

This document contains information considered Confidential between GM and its Clients un quely The information provided is not intended for public disclosure. Prices, specifications and availability are subject to change without notice, and do not include certain fees, taxes and charges that may be required by law or vary by manufacturer or region. Performance figures are guidelines only, and actual performance may vary. Photos may not represent actual vehicles or exact configurations. Content based on report preparer's input is subject to the accuracy of the input provided.

Data Version 16622 Data Updated May 31, 2022 6:29 00 PM PDT



ALAN JAY FLEET

SCOTT WILSON | 863-402-4234 | SCOTT.WILSON@ALANJAY.COM

Vehicle: [Fleet] 2022 Toyota Tacoma 4WD (7540) SR5 Double Cab 5' Bed V6 AT (SE) (✓ Complete)

Safety-Interior

Back-Up Camera

WARRANTY

Basic Years 3
 Basic Miles/km 36,000
 Drivetrain Years: 5
 Drivetrain Miles/km 60,000
 Corrosion Years: 5
 Corrosion Miles/km Unlimited
 Roadside Assistance Years: 2
 Roadside Assistance Miles/km Unlimited
 Maintenance Years: 2
 Maintenance Miles/km 25,000

This document contains information considered Confidential between GM and its Clients uniquely. The information provided is not intended for public disclosure. Prices, specifications, and availability are subject to change without notice, and do not include certain fees, taxes and charges that may be required by law or vary by manufacturer or region. Performance figures are guidelines only, and actual performance may vary. Photos may not represent actual vehicles or exact configurations. Content based on report preparer's input is subject to the accuracy of the input provided.

Data Version: 16622. Data Updated: May 31, 2022 6:29:00 PM PDT.



863-402-4234

chris.wilson@alanjay.com

scott.wilson@alanjay.com

christy.self@alanjay.com

ROW	YEAR	MODEL CODE	MODEL DESCRIPTION	MSRP	CONTRACT PRICE
1	2023	1852	2023 TOYOTA COROLLA LE	\$22,560	\$21,799
2	2023	1882	2023 TOYOTA COLOLLA HYBRID LE	\$23,810	\$23,011
3	2023	1221	2023 TOYOTA PRIUS L (MID-SIZE)	\$26,085	\$23,181
4	2023	1223	2023 TOYOTA PRIUS LE (MID-SIZE)	\$27,295	\$24,085
5	2023	1235	2023 TOYOTA PRIUS PRIME LE - PLUG - IN HYBRID -	\$29,780	\$25,536
6	2023	2532	2023 TOYOTA CAMRY LE I4	\$26,955	\$25,644
7	2023	2559	2023 TOYOTA CAMRY HYBRID LE	\$29,090	\$27,843
8	2023	5402	2023 TOYOTA SIENNA FWD LE HYBRID 8-PASSENGER	\$36,600	\$35,519
9	2023	5403	2023 TOYOTA SIENNA AWD LE HYBRID 8-PASSENGER	\$38,600	\$37,455
10	2023	4435	2023 TOYOTA RAV4 HYBRID LE AWD	\$31,440	\$30,777
11	2023	8642	2023 TOYOTA 4RUNNER SR5 2WD	\$40,020	\$36,361
12	2023	8664	2023 TOYOTA 4RUNNER SR5 4WD	\$41,895	\$38,069
13	2023	6935	2023 TOYOTA HIGHLANDER V6 L	\$37,635	\$35,047
14	2023	6960	2023 TOYOTA HIGHLANDER L-4 HYBRID LE 2WD	\$41,435	\$38,775
15	2023	7162	2023 TOYOTA TACOMA ACCESS CAB I4 SR 2WD 6' BED	\$28,465	\$27,798
16	2023	7186	2023 TOYOTA TACOMA DOUBLE CAB I4 SR 2WD 5' BED	\$29,295	\$28,268
17	2023	7540	2023 TOYOTA TACOMA DOUBLE CAB V6 SR5 4WD 5' BED	\$37,920	\$36,632
18	2023	7568	2023 TOYOTA TACOMA DOUBLE CAB TRD OFF ROAD 4WD 6' BED	\$40,230	\$38,871
19	2023	8242	2023 TOYOTA TUNDRA DOUBLE CAB 5.7L SR 2WD 6.5' BED	\$38,615	\$35,264
20	2023	8245	2023 TOYOTA TUNDRA DOUBLE CAB 5.7L SR 2WD 8' BED	\$38,945	\$35,567
21	2023	8342	2023 TOYOTA TUNDRA DOUBLE CAB 5.7L SR 4WD 6.5' BED	\$41,615	\$38,010
22	2023	8345	2023 TOYOTA TUNDRA DOUBLE CAB 5.7L SR 4WD 8' BED	\$41,945	\$38,124
23	2023	8261	2023 TOYOTA TUNDRA CREW MAX 5.7L SR5 2WD 5.5' BED	\$46,170	\$42,179
24	2023	8361	2023 TOYOTA TUNDRA CREW MAX 5.7L SR5 4WD 5.5' BED	\$49,170	\$44,925

TOYOTA



863-402-4234

chris.wilson@alanjay.com

scott.wilson@alanjay.com



Order Code	Description	Part Only	Labor Hrs.	Installed Price
ST RSL CC-AW	STAR Road Side Lighting Package includes 2 Split Amber/White Microstar LED D-Lite series LED's in Grille, 2 Split Amber/White Microstar LED D-Lite series LED's mounted to rear of body with white bezel, 1 Eight head Amber Traffic Advisor stick mounted to back of body, 1 Six position rocker switch control box.	\$1,080.00	6	\$1,710.00
FEDERAL SIGNAL				
FS RSL TRK-AW	Federal Signal Road Side Lighting Package includes 2 Micropulse LED's (Split Amber/White) in Grille, 2 Micropulse LED's (Split Amber/White) mounted to rear tail gate with white bezel, 1 eight head Amber Signal Master stick installed inside back glass, 1 Compact Digital Soft Button 6 switch controller	\$1,005.00	6	\$1,635.00
FS RSL VAN-AW	Federal Signal Road Side Lighting Package includes 2 Micropulse LED's (Split Amber/White) in Grille, 2 Micropulse LED's (Split Amber/White) mounted vertically one at each side above rear tail lights with white bezel, 1 eight head Amber Signal Master stick installed above rear load doors, 1 Compact Digital Soft Button 6 switch controller	\$1,395.00	6	\$2,025.00
FS RSL SUV-AW	Federal Signal Road Side Lighting Package includes 2 Micropulse LED's (Split Amber/White) in Grille, 2 Micropulse LED's (Split Amber/White) mounted vertically next to each side of license plate with white bezel, 1 eight head Amber Signal Master stick with reflective shroud installed inside rear hatch, 1 Compact Digital Soft Button 6 switch controller	\$1,045.00	6	\$1,675.00
FS RSL CC-AW	Federal Signal Road Side Lighting Package includes 2 Micropulse LED's (Split Amber/White) in Grille, 2 Micropulse LED's (Split Amber/White) mounted to rear of body with white bezel, 1 eight head Amber Signal Master stick installed to rear of body, 1 Compact Digital Soft Button 6 switch controller	\$1,170.00	6	\$1,800.00
FS RSL TAHOE	Federal Signal Premium Road Side Lighting Package for Tahoe Includes Tahoe front ILS, Windshield Visor Amber/white dual color flash with 6 button controller, Tahoe rear hatch ILS amber/white dual color flash with amber directional and splitter, (4) MicroPulse C Series amber/white split -installed in grille-, (4) MicroPulse C series chrome bezels, (2) MicroPulse amber/white dual color hood mount, (2) MicroPulse Wide 9 Amber/white dual color 180 degree light -mnt under mirror-, (2) MicroPulse Wide 9 Under Mirror brackets, (2) MicroPulse Wide 9 white bezel, (2) MicroPulse Ultra 1220 amber/white dual color -mtd vertically next to license plate-, (2) MicroPulse Ultra 1220 white bezel, (4) MicroPulse Ultra 620 amber/white dual color	\$3,535.00	12	\$4,795.00
CORNER / PERIMETER LED KITS				
FEDERAL SIGNAL				
FS MPS62U-4	(4) Federal Signal MicroPulse Ultra dual color with (2) mounted in grille and (2) mounted to rear of vehicle.	\$390.00	3	\$705.00
FS MPS62U-6	(6) Federal Signal MicroPulse Ultra dual color with (4) mounted in grille and (2) mounted to rear of vehicle.	\$587.50	4.5	\$1,060.00
FS MPS62U-8	(8) Federal Signal MicroPulse Ultra dual color with (4) mounted in grille and (4) mounted to rear of vehicle.	\$780.00	6	\$1,410.00
FS MPS62U-12	(12) Federal Signal MicroPulse Ultra dual color with (4) mounted in grille (1) mounted over each wheel position and (4) mounted to rear of vehicle/body	\$1,175.00	9	\$2,120.00
FS CNR-LED-W	(2) Federal Signal Corner LED lights to be mounted in headlamp or tail lamp if possible (WHITE).	\$155.00	2	\$365.00
STAR				
ST DLITE-4	(4) STAR Emergency Lighting Micro LED Ultra low profile 3/8" thick with (2) mounted in grille and (2) mounted to rear of vehicle/ body.	\$360.00	3	\$675.00
ST DLITE-6	(6) STAR Emergency Lighting Micro LED Ultra low profile 3/8" thick with (4) surface mounted to grille and (2) mounted to rear of vehicle/body.	\$542.50	4.5	\$1,015.00
ST DLITE-8	(8) STAR Emergency Lighting Micro LED Ultra low profile 3/8" thick with (4) mounted to grille and (4) mounted to back of vehicle/body	\$725.00	6	\$1,355.00
ST DLITE-12	(12) STAR Emergency Lighting Micro LED Ultra low profile 3/8" thick with (4) surface mounted to grille, (1) mounted over each wheel position, and (4) mounted to rear of vehicle/body.	\$1,090.00	9	\$2,035.00
ST CNR-LED	(2) STAR self contained LED flashing light (2) LED's will be mounted in headlamps or tail lamps where possible.	\$180.00	2	\$390.00

LIGHTING EQUIPMENT

ALAN JAY FLEET SALES

863-402-4234

chris.wilson@alanjay.com

scott.wilson@alanjay.com



ALL PRICES INCLUDE FREIGHT AND INSTALLATION

AJ WGG-MNT-P-STER	Sterling manufacturing wrap around grille guard with winch mount tray and no headlight guards, center section only (fits all makes/models, will accommodate 16.5ti winch).	\$1,845 00
AJ WGG-MNT-STER	Sterling manufacturing wrap around grille guard with winch mount tray (fits all makes/models, will accommodate 16.5ti winch)	\$2,630 00
<u>STEEL ROPE WINCHES</u>		
VR EVO 8	Warn VR EVO self recovery 8,000lb rated winch with remote, open fairlead, and wire rope	\$805 00
VR EVO 10	Warn VR EVO self recovery 10,000lb rated winch with remote, open fairlead, and wire rope	\$855 00
<u>SYNTHETIC ROPE WINCHES</u>		
ZEON 8-S	Warn ZEON self recovery 8,000lb rated winch with remote, open fairlead, synthetic rope and aluminum winch drum to reduces rope wear.	\$1,860 00
ZEON 10-S	Warn ZEON self recovery 10,000lb rated winch with remote, open fairlead, synthetic rope and aluminum winch drum to reduces rope wear.	\$2,655 00

BED COVERS

TONNEAU COVERS

R-N-I LONG	Roll N Lock cover, long box (all GM & RAM both short & long)	\$1,740 00
R-N-I SHORT	Roll N Lock cover, short box (Toyota / Nissan / Ford only)	\$1,790 00
TK FTC LEGACY-SB	Ranch Legacy model fiberglass tonneau cover, short bed, painted to match cab of vehicle	\$3,020 00
TK FTC LEGACY-LB	Ranch Legacy model fiberglass tonneau cover long bed, painted to match cab of vehicle	\$3,160 00
TK FTC LEER550-SB	LEER 550 model low-profile fiberglass tonneau cover, short bed, painted to match cab of vehicle	\$2,685 00
TK FTC LEER550-LB	LEER 550 model low-profile fiberglass tonneau cover, long bed, painted to match cab of vehicle	\$2,815 00
TK FTC LEER700-SB	LEER 700 model fiberglass tonneau cover, short bed, painted to match cab of vehicle	\$3,010 00
TK FTC LEER700-LB	LEER 700 model fiberglass tonneau cover, long bed, painted to match cab of vehicle	\$3,140 00
TK FTC LEER700RKE	Remote keyless entry for LEER 700 model only	\$505 00
AJ UCFLEX	Undercover brand Flex 3-piece black folding tonneau cover, installed	\$1,250 00
AJ UCELITE	Undercover brand Elite hard black plastic 1-piece tonneau cover, installed	\$1,400 00
DB SE-S	FURNISH AND INSTALL DIAMOND BACK MODEL SE TONNEAU COVER (2-LIFT DOORS FRONT TO BACK), POLISHED ALUMINUM INCLUDING (4) CLEATS AND 400LB HAUL CAPACITY FOR PICKUPS WITH SHORT BED	\$2,280 00
DB SE-L	FURNISH AND INSTALL DIAMOND BACK MODEL SE TONNEAU COVER (2-LIFT DOORS FRONT TO BACK), POLISHED ALUMINUM INCLUDING (4) CLEATS AND 400LB HAUL CAPACITY FOR PICKUPS WITH LONG BED	\$2,280 00
DB SE-SX	FURNISH AND INSTALL DIAMOND BACK MODEL SE TONNEAU COVER (2-LIFT DOORS FRONT TO BACK), BLACK ALUMINUM INCLUDING (4) CLEATS AND 400LB HAUL CAPACITY FOR PICKUPS WITH SHORT BED	\$2,800 00
DB SE-LX	FURNISH AND INSTALL DIAMOND BACK MODEL SL TONNEAU COVER (2-LIFT DOORS FRONT TO BACK), BLACK ALUMINUM INCLUDING (4) CLEATS AND 400LB HAUL CAPACITY FOR PICKUPS WITH LONG BED	\$2,800 00
DB 180S	FURNISH AND INSTALL DIAMOND BACK MODEL 180 TONNEAU COVER (2-LIFT DOORS SIDE BY SIDE), POLISHED ALUMINUM WITH 400LB HAUL CAPACITY FOR PICKUPS WITH SHORT BED	\$2,670 00
DB 180L	FURNISH AND INSTALL DIAMOND BACK MODEL 180 TONNEAU COVER (2-LIFT DOORS SIDE BY SIDE), POLISHED ALUMINUM WITH 400LB HAUL CAPACITY FOR PICKUPS WITH LONG BED	\$2,670 00
DB 180SX	FURNISH AND INSTALL DIAMOND BACK MODEL 180 TONNEAU COVER (2-LIFT DOORS SIDE BY SIDE), BLACK ALUMINUM WITH 400LB HAUL CAPACITY FOR PICKUPS WITH SHORT BED	\$3,190 00

LD PICK Ups