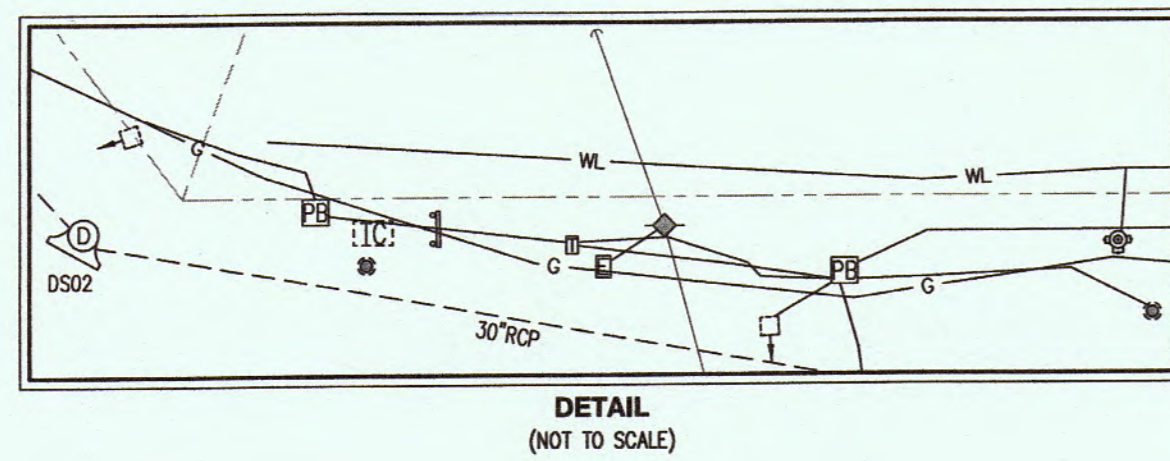
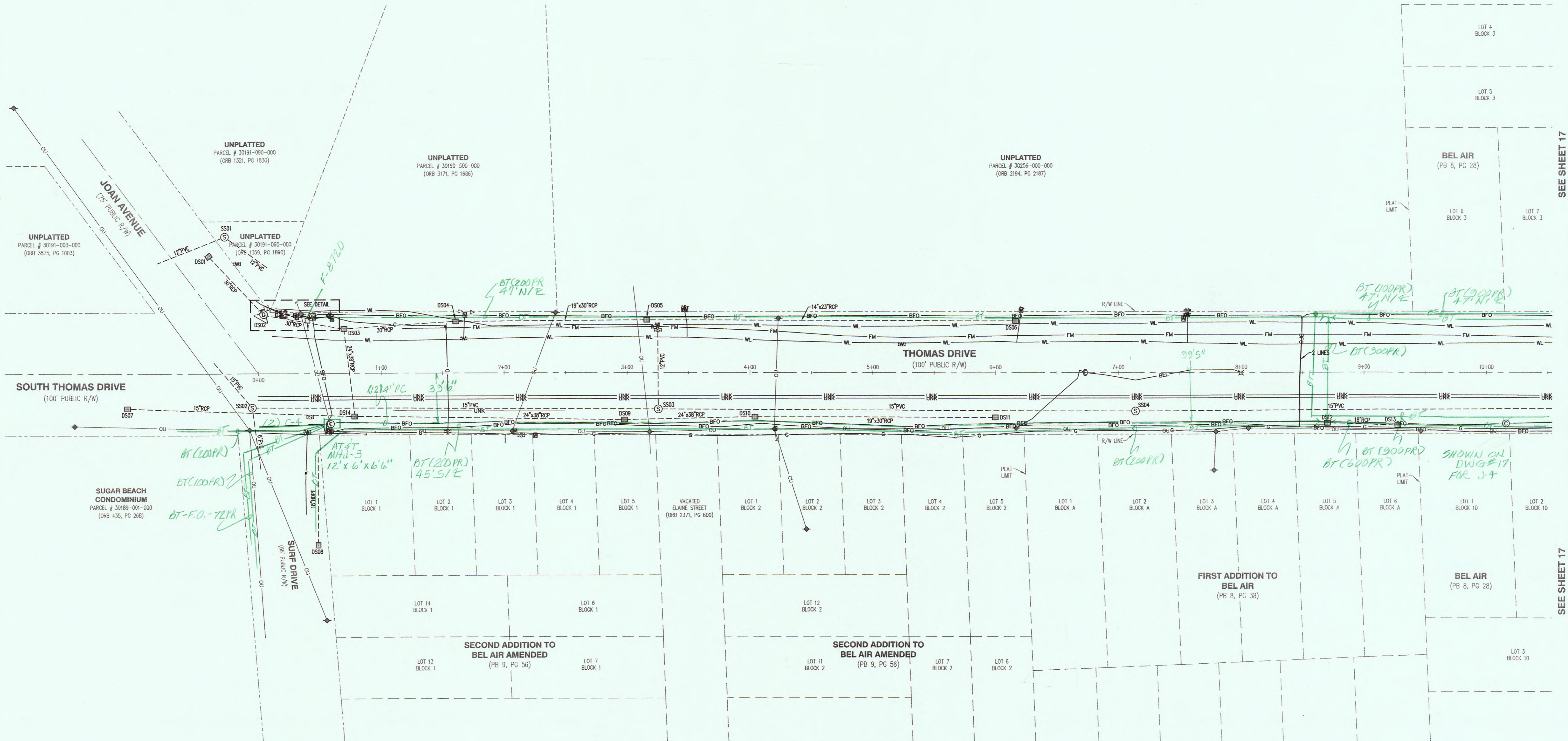
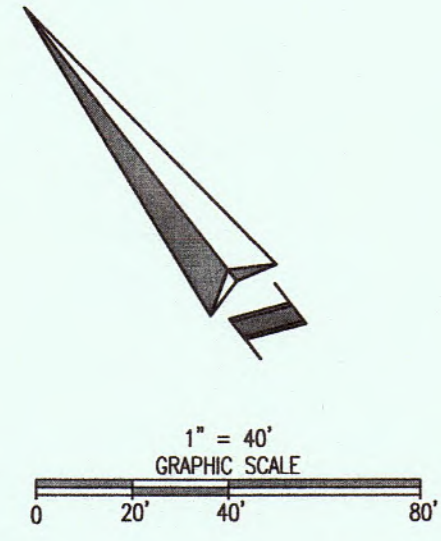


THOMAS DRIVE CONTROL AND RIGHT-OF-WAY SURVEY

FROM JOAN AVENUE TO BRISTOL STREET
 LOCATED IN SECTIONS 6, 7, 8, 9, & 16, TOWNSHIP 4 SOUTH, RANGE 15 WEST, BAY COUNTY, FLORIDA



DS #	TOP	NE INV	SE INV	SW INV	NW INV	STATION	OFFSET
DS01	5.74	---	---	2.16	---	-0+40.81	95.85 LT
DS02	6.67	2.14	2.23	---	---	0+04.16	48.22 LT
DS03	6.04	---	2.16	2.11	---	0+59.53	35.48 LT
DS04	5.50	---	2.73	---	---	1+60.67	42.14 LT
DS05	6.22	---	3.09	---	2.86	3+16.04	43.10 LT
DS06	5.45	---	---	---	3.20	6+16.21	42.34 LT
DS07	7.20	---	2.85	---	---	-1+06.69	28.38 RT
DS08	7.66	3.57	---	---	---	0+49.00	138.91 RT
DS09	5.96	---	2.86	---	2.32	2+97.82	37.91 RT
DS10	5.68	---	2.54	---	2.38	4+04.08	35.60 RT
DS11	5.94	---	---	---	2.57	5+99.80	36.05 RT
DS12	6.66	---	4.03	---	---	8+70.09	41.05 RT
DS13	6.73	---	---	---	3.98	9+27.58	42.92 RT
DS14	6.42	1.90	1.74	---	1.77	0+76.56	34.25 RT

SS #	RIM	NE INV	SE INV	SW INV	NW INV	STATION	OFFSET
SS01	7.21	---	2.62	---	-0.78	-0+27.74	111.74 LT
SS02	6.88	-0.79	-0.65	3.53	---	-0+04.97	27.87 RT
SS03	6.72	1.24	0.09	2.57	-0.07	3+25.39	29.35 RT
SS04	6.58	---	1.08	---	1.06	7+13.96	31.15 RT

SEE SHEET 17

SEE SHEET 17

SHEET NUMBER 16 OF 29
 NOT VALID THROUGH 2017

Southeastern Surveying
 SOUTHEASTERN SURVEYING
 AND MAPPING CORPORATION
 1100 Highway 90
 Chula Vista, CA 92011
 (619) 698-0700
 e-mail: info@southeasternsurveying.com
 Certification Number: 126108

BY	
REVISION	
REVISION DATE	

CONTROL & RIGHT-OF-WAY SURVEY
 Project: THOMAS DRIVE FROM JOAN AVENUE TO BRISTOL STREET
 BAY COUNTY, FLORIDA

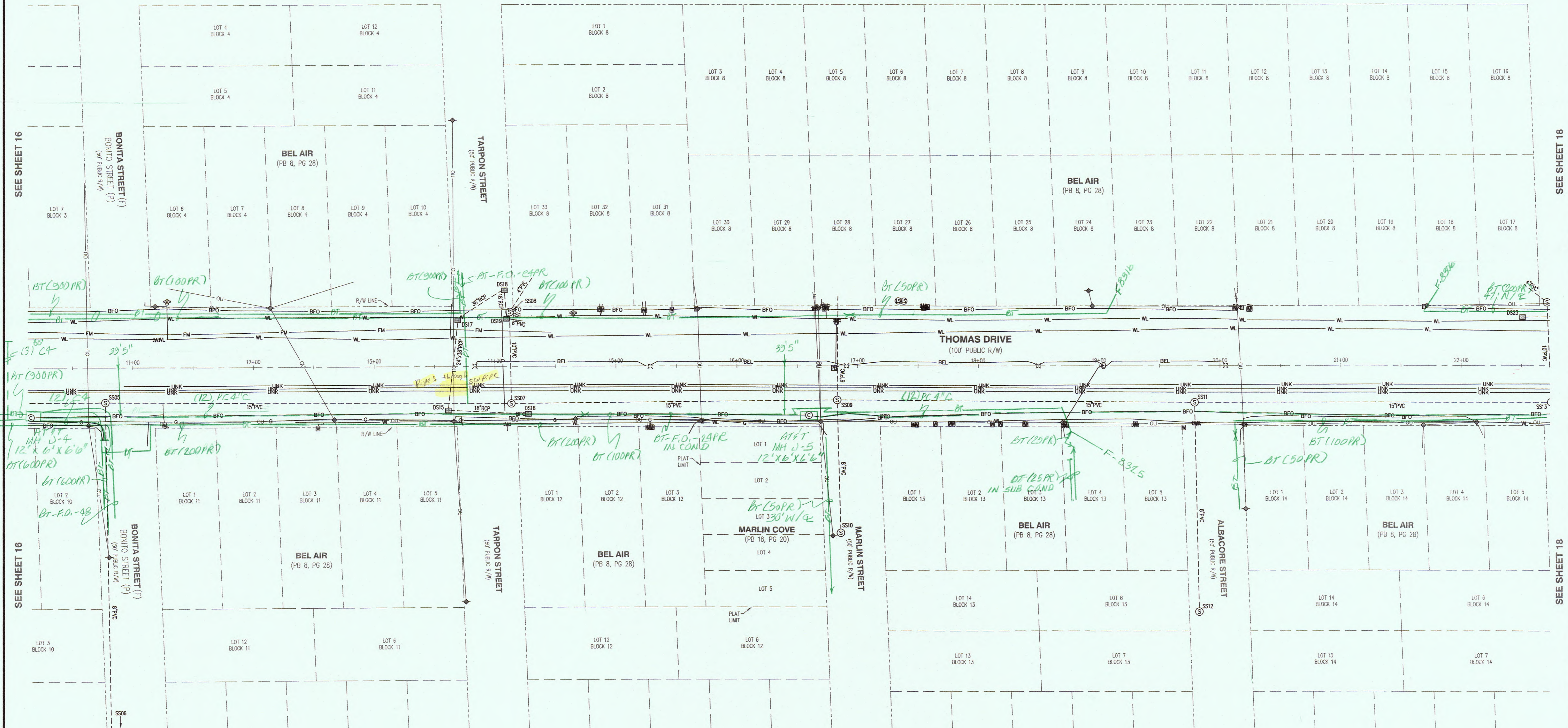
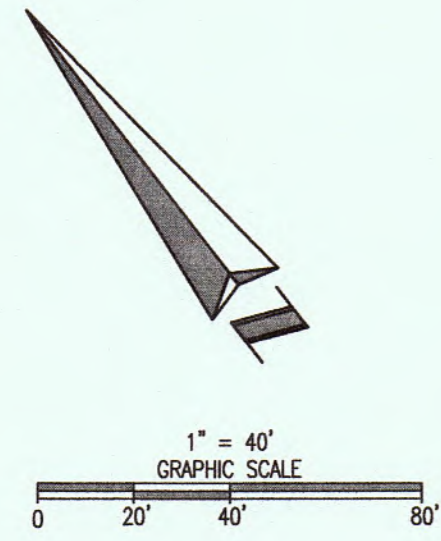
Scale: 1" = 40'
 Drawn By: JKC
 Date: 09/12/2017

SEE SHEET 1 FOR
 SURVEYOR'S REPORT AND LEGEND

DRAWING NUMBER
 61496PM
 SHEET
 NUMBER
 16 OF 29

THOMAS DRIVE CONTROL AND RIGHT-OF-WAY SURVEY

FROM JOAN AVENUE TO BRISTOL STREET
 LOCATED IN SECTIONS 6, 7, 8, 9, & 16, TOWNSHIP 4 SOUTH, RANGE 15 WEST, BAY COUNTY, FLORIDA



DRAINAGE STRUCTURE TABLE

DS#	RM	NE INV	SE INV	SW INV	NW INV	STATION	OFFSET
DS15	7.80	5.24	5.16	---	---	13+61.57	36.53 RT
DS16	8.22	---	---	5.38	---	14+27.84	39.50 RT
DS17	8.08	---	3.42	4.31	---	13+69.28	38.43 LT
DS18	7.27	---	2.79	2.85	---	14+07.81	63.00 LT
DS19	8.04	---	6.08	---	---	14+09.61	39.51 LT
DS23	10.22	---	8.50	---	---	22+50.82	40.31 LT

SANITARY SEWER MANHOLE TABLE

SS#	RM	NE INV	SE INV	SW INV	NW INV	STATION	OFFSET
SS05	7.65	---	2.01	3.77	1.97	10+77.38	29.11 RT
SS06	13.06	8.72	---	---	---	10+94.20	365.30 RT
SS07	8.41	3.06	2.80	---	2.75	14+13.62	30.86 RT
SS08	8.42	---	5.00	3.39	---	14+12.03	45.17 LT
SS09	8.68	3.67	3.22	4.68	3.20	16+83.20	28.20 RT
SS10	11.83	7.60	---	---	---	16+86.34	138.40 RT
SS11	9.58	---	3.75	3.81	3.63	19+79.07	30.47 RT
SS12	12.84	4.44	---	---	---	19+83.18	203.91 RT
SS13	10.96	4.30	4.10	7.21	4.07	22+74.59	33.78 RT
SS14	10.94	5.54	---	4.90	---	22+71.06	52.52 LT

SHEET NUMBER 17 OF 29
 NOT VALID WITHOUT SHEETS
 1 THROUGH 29

**SOUTHEASTERN SURVEYING
 AND MAPPING CORPORATION**
 1150 Highway 90
 Clearwater, FL 34615
 (800) 659-0700
 e-mail: info@southeasternsurveying.com
 Certification Number: LBR008

REVISION	DATE	BY

CONTROL & RIGHT-OF-WAY SURVEY
 THOMAS DRIVE FROM JOAN AVENUE TO BRISTOL STREET
 BAY COUNTY, FLORIDA

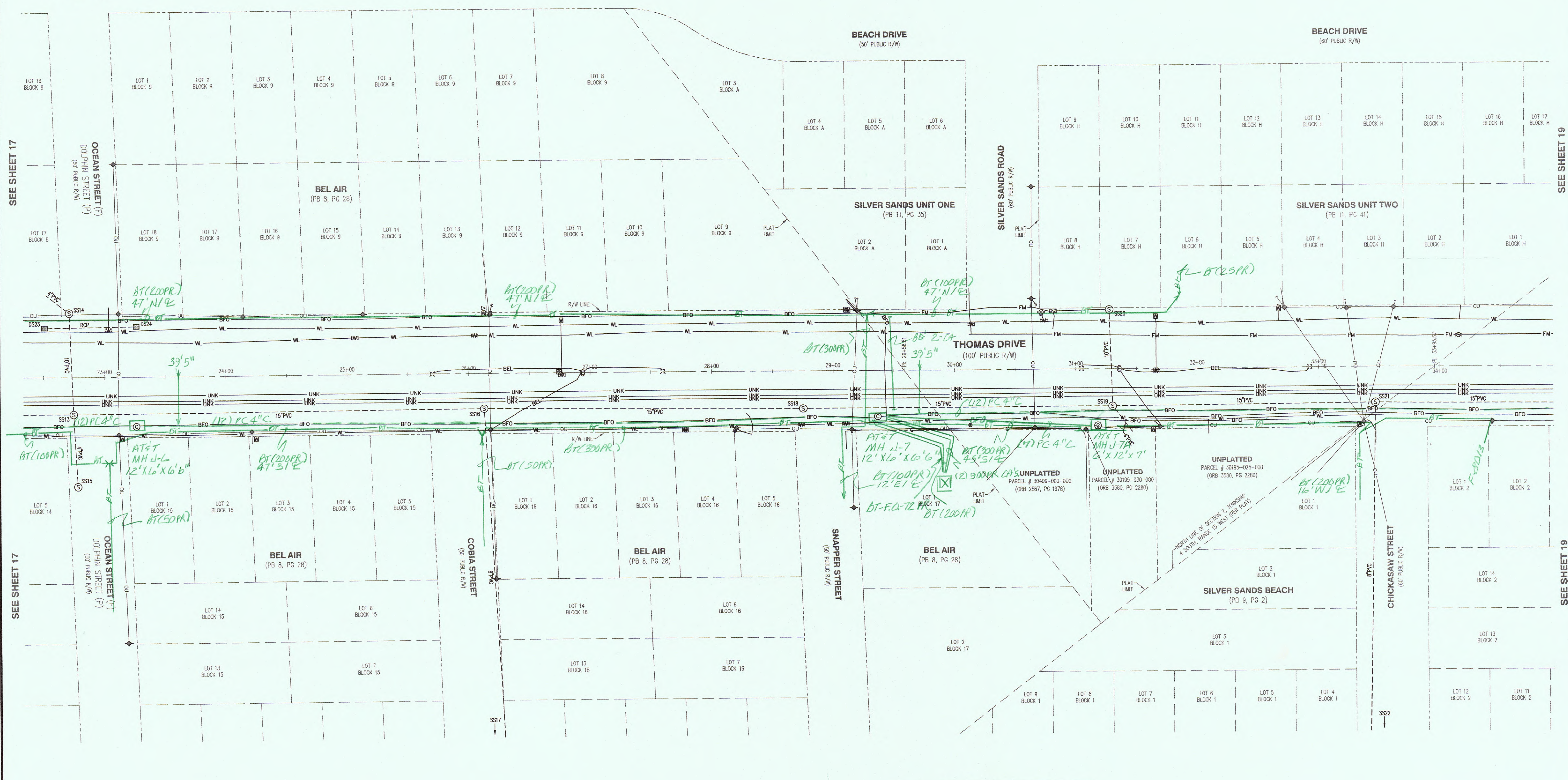
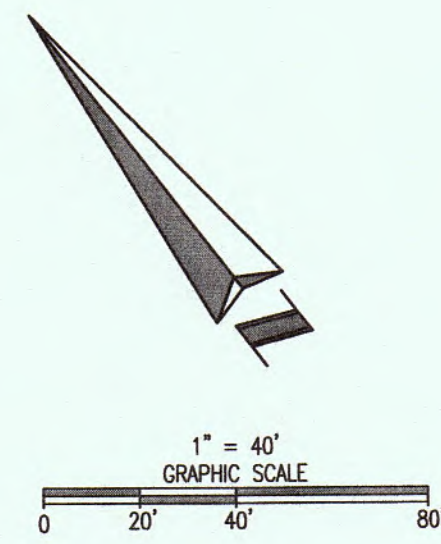
Scale: 1" = 40'
 Drawn By: JKC
 Date: 09/12/2017

**SEE SHEET 1 FOR
 SURVEYOR'S REPORT AND LEGEND**

DRAWING NUMBER
 61496PM
SHEET NUMBER
 17 OF 29

THOMAS DRIVE CONTROL AND RIGHT-OF-WAY SURVEY

FROM JOAN AVENUE TO BRISTOL STREET
 LOCATED IN SECTIONS 6, 7, 8, 9, & 16, TOWNSHIP 4 SOUTH, RANGE 15 WEST, BAY COUNTY, FLORIDA



ID	INVERT	OUTLET	INVERT	LENGTH	INVERT
D523	10.22	---	8.50	---	22+50.82 40.31 LT
D524	10.38	---	---	8.41	23+26.30 41.20 LT

SS#	RM	NE INV	SE INV	SW INV	NW INV	STATION	OFFSET
SS13	10.96	4.30	4.10	7.21	4.07	22+74.59	30.78 RT
SS14	10.94	5.54	---	4.90	---	22+71.06	52.52 LT
SS15	12.48	8.75	---	---	---	22+77.91	90.20 RT
SS16	12.88	---	4.82	6.74	4.54	26+12.73	28.95 RT
SS17	14.30	8.38	---	---	---	26+33.66	383.02 RT
SS18	13.79	---	5.04	---	4.85	28+75.38	30.91 RT
SS19	14.14	7.89	5.39	8.74	5.26	31+30.19	30.52 RT
SS20	14.34	---	9.50	8.48	10.54	31+27.85	48.51 LT
SS21	13.49	---	5.73	7.88	5.66	33+46.62	29.46 RT
SS22	13.60	11.06	---	---	---	33+38.09	427.15 RT

N:\SHARE\THOMAS DRIVE CONTROL AND RIGHT-OF-WAY SURVEY.dwg

SHEET NUMBER 18 OF 29
 NOT VALID WITHOUT SHEETS 1 THROUGH 29

SOUTHEASTERN SURVEYING AND MAPPING CORPORATION
 1130 Highway 90
 Chipley, Florida 32428
 e-mail: info@southeasternsurveying.com
 Certification Number LP2108

BY	REVISION	REVISION DATE

Project: CONTROL & RIGHT-OF-WAY SURVEY
 THOMAS DRIVE FROM JOAN AVENUE TO BRISTOL STREET
 BAY COUNTY, FLORIDA

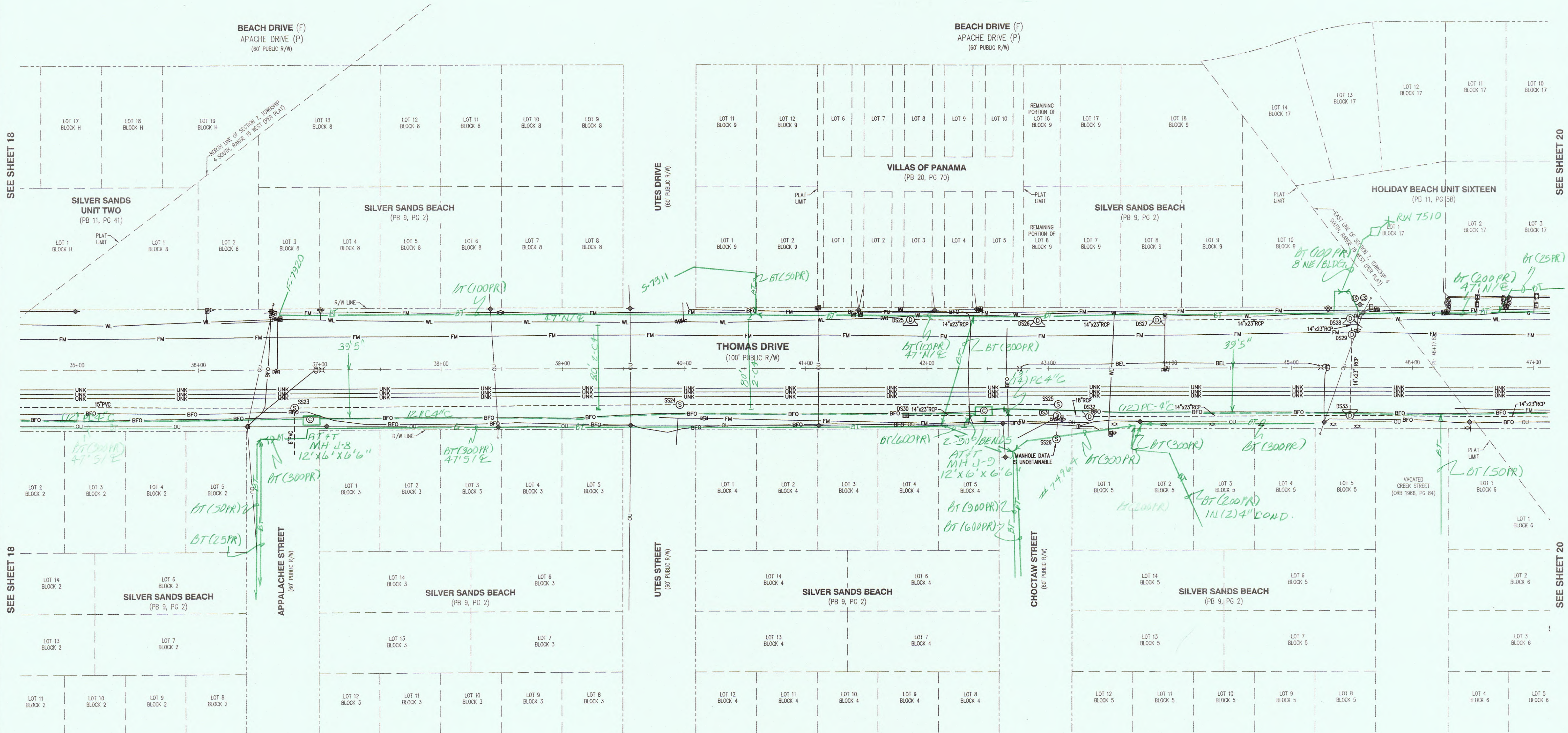
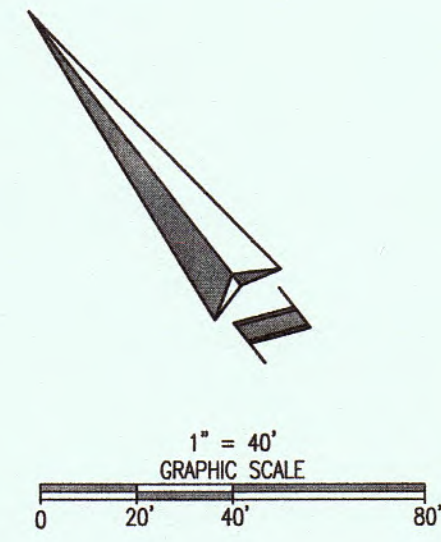
Scale: 1" = 40'
 Drawn By: JWC
 Field Date: 09/12/2017

SEE SHEET 1 FOR SURVEYOR'S REPORT AND LEGEND

DRAWING NUMBER
61496PM
 SHEET NUMBER
18 OF 29

THOMAS DRIVE CONTROL AND RIGHT-OF-WAY SURVEY

FROM JOAN AVENUE TO BRISTOL STREET
 LOCATED IN SECTIONS 6, 7, 8, 9, & 16, TOWNSHIP 4 SOUTH, RANGE 15 WEST, BAY COUNTY, FLORIDA

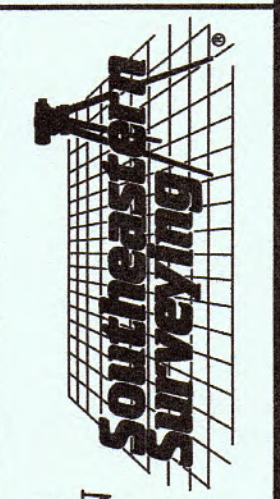


DS#	RM	NE INV	SE INV	SW INV	NW INV	STATION	OFFSET
DS25	11.45	---	9.19	---	---	41+86.46	40.10 LT
DS26	11.96	---	8.00	---	9.01	42+91.29	39.28 LT
DS27	11.80	---	8.87	---	8.91	43+89.58	39.43 LT
DS28	11.91	---	8.78	8.75	8.69	45+48.65	40.28 LT
DS29	11.76	8.74	---	8.71	---	45+50.13	27.12 LT
DS30	10.35	---	8.50	---	---	41+82.85	38.68 RT
DS31	11.59	---	8.19	---	8.19	43+07.28	38.99 RT
DS32	12.06	---	8.00	---	8.02	43+34.00	39.77 RT
DS33	12.01	7.90	7.85	---	7.81	45+48.35	39.32 RT

SS#	RM	NE INV	SE INV	SW INV	NW INV	STATION	OFFSET
SS23	11.85	---	6.33	8.10	6.20	36+78.35	31.36 RT
SS24	PAVED	---	---	---	---	39+96.55	29.75 RT
SS25	PAVED	---	---	---	---	43+08.18	29.66 RT
SS26	12.00	---	---	---	---	43+06.74	58.30 RT

N:\18496-THOMAS DRIVE\18496-THOMAS DRIVE.dwg

SHEET NUMBER 19 OF 29
 NOT VALID WITHOUT SHEETS
 1 THROUGH 29



SOUTHEASTERN SURVEYING
 AND MAPPING CORPORATION
 1150 Highway 90
 Chesapeake, FL 32828
 (850) 698-0790
 e-mail: info@southesternsurveying.com
 Certification Number LB2108

REV	REVISION	DATE

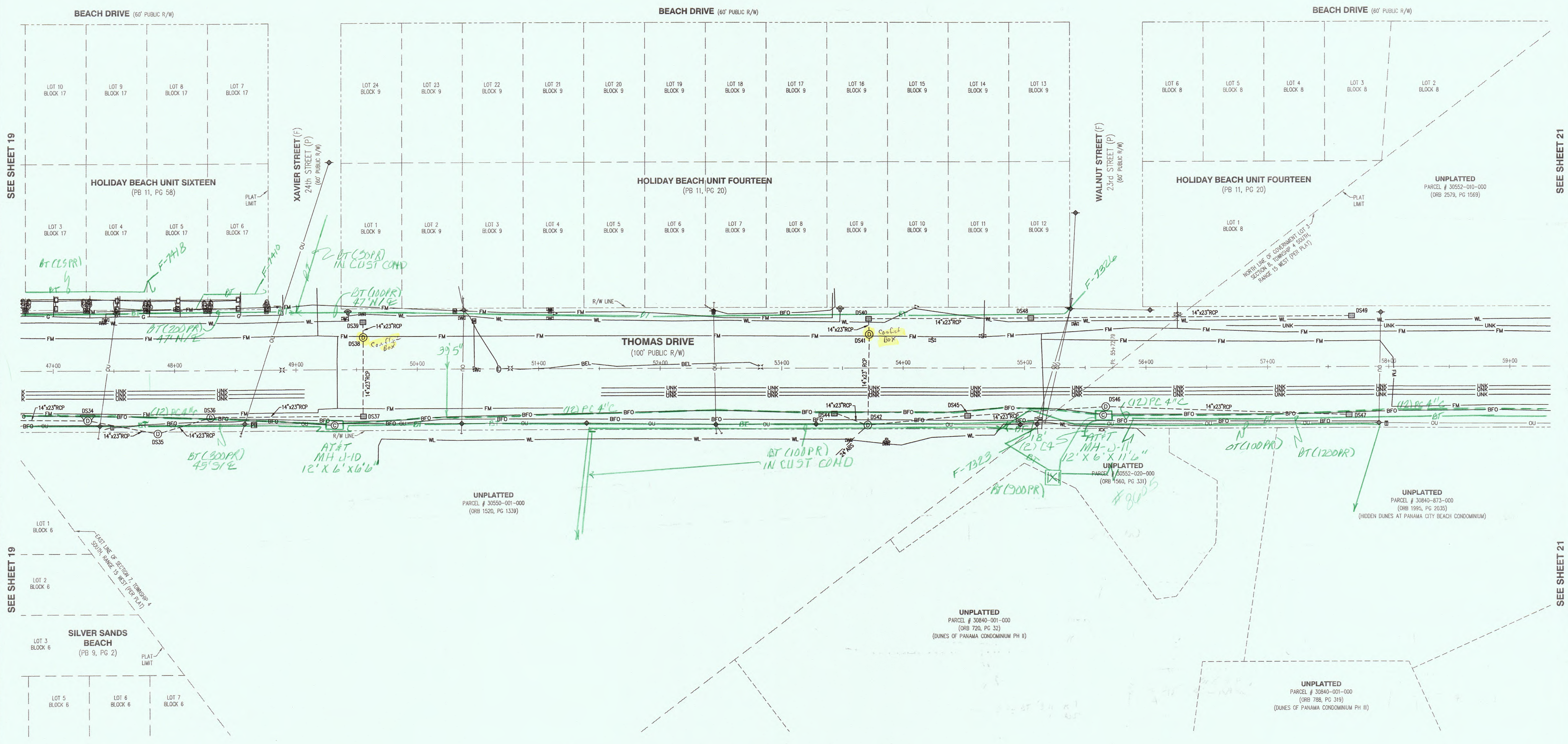
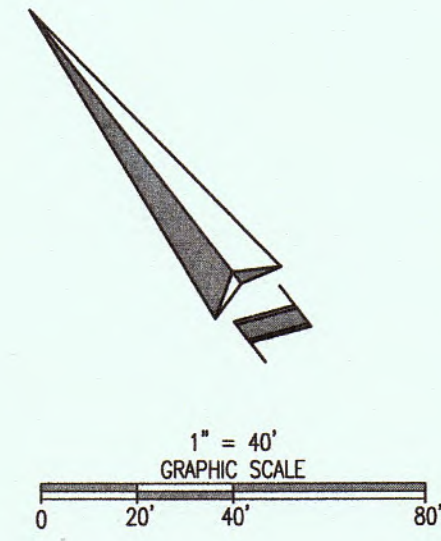
CONTROL & RIGHT-OF-WAY SURVEY
 THOMAS DRIVE FROM JOAN AVENUE TO BRISTOL STREET
 BAY COUNTY, FLORIDA
 Scale: 1" = 40'
 Drawn By: JMC
 Date: 09/12/2017

SEE SHEET 1 FOR
 SURVEYOR'S REPORT AND LEGEND

DRAWING NUMBER
 61496PM
 SHEET
 NUMBER
 19 OF 29

THOMAS DRIVE CONTROL AND RIGHT-OF-WAY SURVEY

FROM JOAN AVENUE TO BRISTOL STREET
 LOCATED IN SECTIONS 6, 7, 8, 9, & 16, TOWNSHIP 4 SOUTH, RANGE 15 WEST, BAY COUNTY, FLORIDA



DRAINAGE STRUCTURE TABLE									
DS34	11.91	---	7.51	7.53	47428.38	40.72	RT		
DS35	10.52	---	7.40	6.60	47486.17	51.64	RT		
DS36	11.69	---	8.35	---	48429.73	38.55	RT		
DS37	10.28	8.14	---	8.28	49455.66	38.44	RT		
DS38	11.84	8.17	---	8.17	49455.49	28.50	LT		
DS39	10.29	---	8.21	---	49455.24	38.98	LT		
DS40	11.02	---	7.35	7.32	53471.57	40.56	LT		
DS41	11.58	7.07	---	7.06	53472.08	27.70	LT		
DS42	11.18	7.14	7.03	6.79	7.06	53470.88	46.94	RT	
DS44	10.78	---	8.32	---	53443.32	37.59	RT		
DS45	10.62	---	8.08	---	7.63	54453.22	39.41	RT	
DS46	11.52	---	8.21	---	8.18	55466.89	32.20	RT	
DS47	11.03	---	---	8.62	57467.20	39.46	RT		
DS48	11.09	---	8.24	---	8.30	55405.24	41.16	LT	
DS49	10.80	---	---	8.66	57469.30	42.05	LT		

SEE SHEET 19

SEE SHEET 19

SEE SHEET 21

SEE SHEET 21

REV	REVISION	DATE

CONTROL & RIGHT-OF-WAY SURVEY
 THOMAS DRIVE FROM JOAN AVENUE TO BRISTOL STREET
 BAY COUNTY, FLORIDA
 Scale: 1" = 40'
 Drawn By: JKC
 Date: 09/12/2017

SEE SHEET 1 FOR
 SURVEYOR'S REPORT AND LEGEND

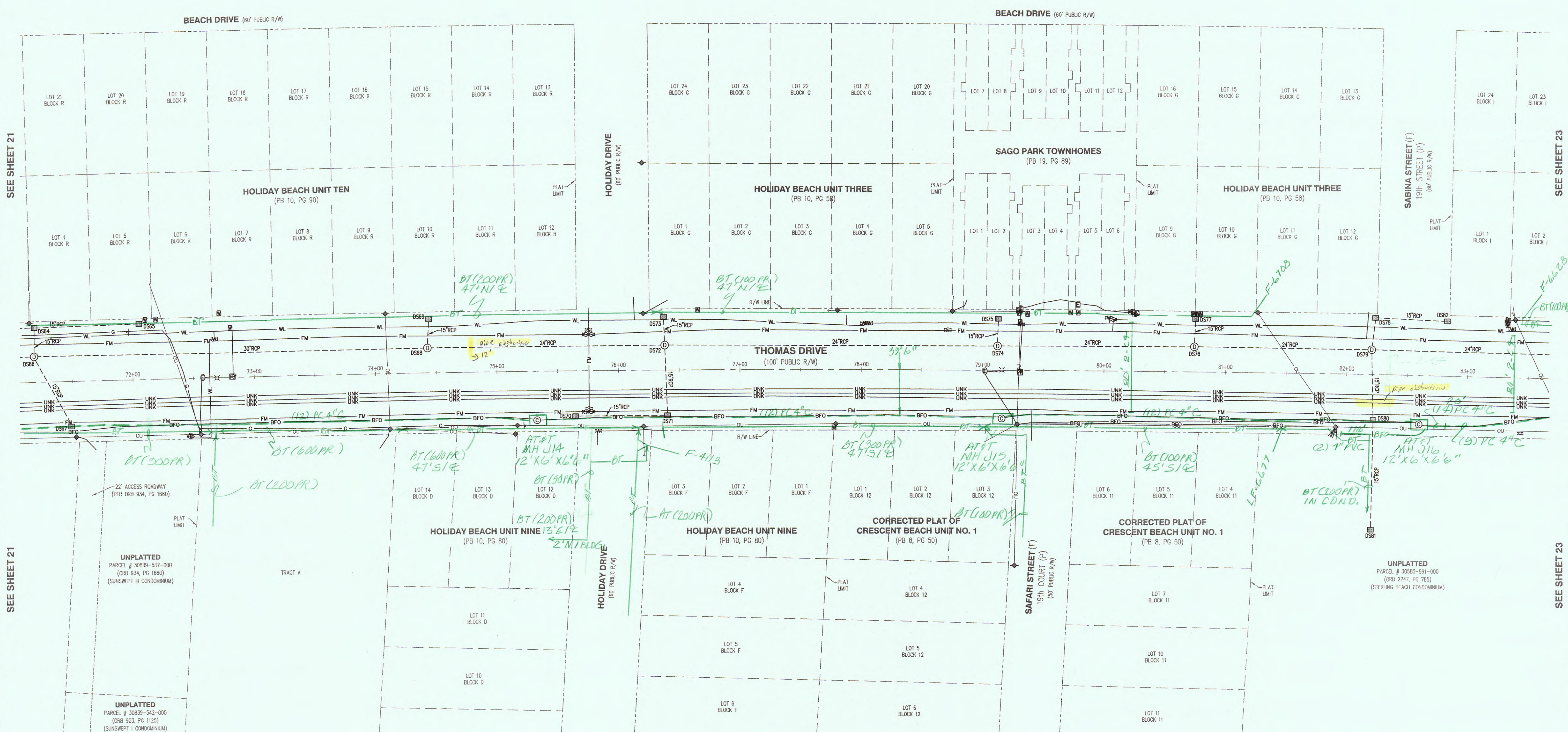
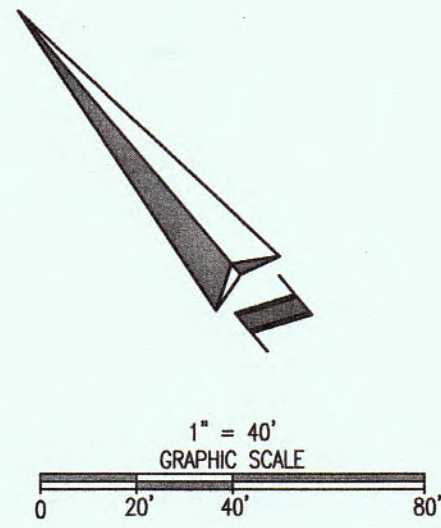
DRAWING NUMBER
 61496PM
 SHEET NUMBER
 20 OF 29

SOUTHEASTERN SURVEYING
 AND MAPPING CORPORATION
 1100 Highway 90
 Chipley, Florida 32428
 Phone: (904) 638-9900
 e-mail: info@southeasternsurveying.com
 Certification Number LB2108

N:\11496_THOMAS DRIVE CONTROL AND RIGHT-OF-WAY SURVEY.dwg

THOMAS DRIVE CONTROL AND RIGHT-OF-WAY SURVEY

FROM JOAN AVENUE TO BRISTOL STREET
 LOCATED IN SECTIONS 6, 7, 8, 9, & 16, TOWNSHIP 4 SOUTH, RANGE 15 WEST, BAY COUNTY, FLORIDA



Structure	Station	Depth	Flow	Area	Notes
DS64	10.00	6.21	4.09	6.58	71+19.85 44.83 LT
DS65	9.75	—	—	6.54	72+05.92 45.81 LT
DS66	11.02	3.87	3.42	3.92	71+19.06 21.12 LT
DS67	10.20	4.05	—	—	71+48.46 37.22 RT
DS68	10.63	4.18	3.67	—	74+42.95 20.52 LT
DS69	9.79	—	—	4.15	74+44.29 44.08 LT
DS70	9.91	—	7.27	—	75+64.53 37.48 RT
DS71	9.71	4.78	—	7.12	76+40.21 37.41 RT
DS72	10.48	4.13	3.99	4.21	76+38.11 20.61 LT
DS73	9.79	—	—	4.09	76+37.34 43.63 LT
DS74	10.89	4.12	4.01	—	78+12.27 20.148 LT
DS75	9.95	—	—	4.45	79+12.77 42.31 LT
DS76	10.62	3.97	4.31	—	80+74.29 20.88 LT
DS77	10.08	—	—	4.18	80+74.98 43.69 LT
DS78	9.56	—	4.43	4.48	82+22.84 46.64 LT
DS79	10.54	4.02	4.28	4.56	82+20.25 20.46 LT
DS80	9.97	4.45	—	6.27	82+22.40 37.58 RT
DS82	9.88	—	—	4.76	82+62.22 45.24 LT

SEE SHEET 21

SEE SHEET 23

SHEET NUMBER 22 OF 29
 NOT VALID WITHOUT SHEETS 1 THROUGH 29

SOUTHEASTERN SURVEYING AND MAPPING CORPORATION

1130 Highway 90
 Clearwater, FL 34615
 (813) 838-0700
 e-mail: info@southeasternsurveying.com
 Certification Number: L26108

BY	REVISION
REVISION DATE	

Project: CONTROL & RIGHT-OF-WAY SURVEY
 THOMAS DRIVE FROM JOAN AVENUE TO BRISTOL STREET
 BAY COUNTY, FLORIDA

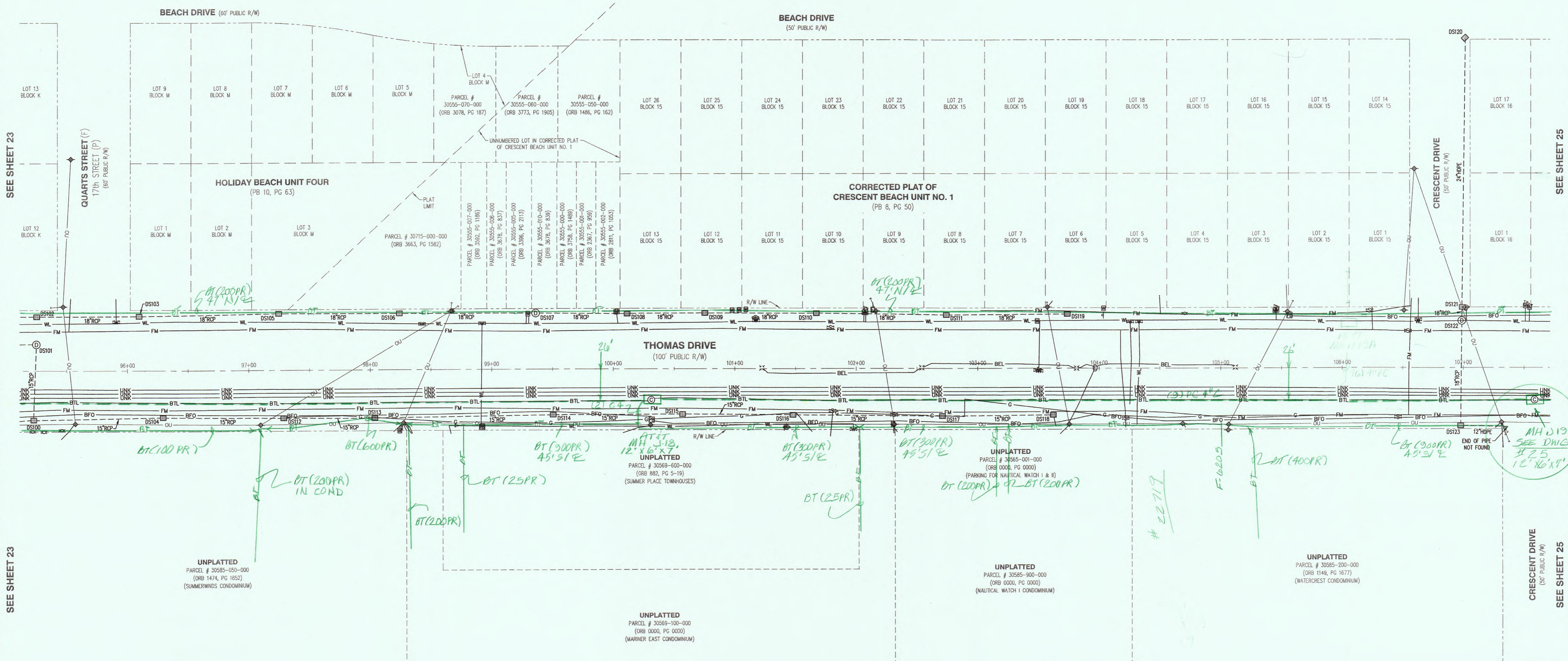
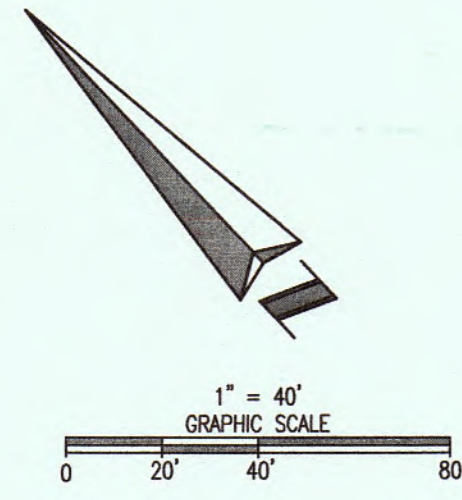
Scale: 1" = 40'
 Drawn By: JMC
 Date: 09/12/2017

SEE SHEET 1 FOR SURVEYOR'S REPORT AND LEGEND

DRAWING NUMBER
 61496PM
 SHEET NUMBER
 22 OF 29

THOMAS DRIVE CONTROL AND RIGHT-OF-WAY SURVEY

FROM JOAN AVENUE TO BRISTOL STREET
 LOCATED IN SECTIONS 6, 7, 8, 9, & 16, TOWNSHIP 4 SOUTH, RANGE 15 WEST, BAY COUNTY, FLORIDA



DRAINAGE STRUCTURE TABLE									
DS100	10.13	6.39	6.45	6.62	95+22.92	40.53	RT		
DS101	10.96	---	6.19	6.26	95+25.01	21.71	LT		
DS102	13.44	---	6.31	6.30	95+25.25	44.44	LT		
DS103	8.94	---	6.27	6.27	96+09.51	44.67	LT		
DS104	10.01	---	6.52	6.43	96+29.45	38.70	RT		
DS105	9.83	---	6.58	6.52	97+34.62	46.49	LT		
DS106	9.68	---	6.64	6.62	98+23.91	46.28	LT		
DS107	11.50	---	6.81	6.70	99+36.12	46.16	LT		
DS108	10.62	---	6.96	6.92	100+11.32	45.38	LT		
DS109	8.87	---	8.11	7.05	100+75.28	45.87	LT		
DS110	9.91	---	7.15	7.10	101+67.11	45.62	LT		
DS111	10.30	---	7.50	7.28	102+74.19	44.13	LT		
DS112	9.84	---	6.63	6.45	97+28.83	39.39	RT		
DS113	9.87	---	6.73	6.73	98+03.82	39.84	RT		
DS114	9.71	---	6.97	6.87	99+50.69	37.63	RT		
DS115	8.80	---	7.23	7.23	100+57.07	37.41	RT		
DS116	10.30	---	7.55	7.42	101+47.85	38.11	RT		
DS117	9.89	---	7.73	7.53	102+71.02	39.15	RT		
DS118	9.78	---	---	7.72	103+62.31	38.39	RT		
DS119	9.84	---	---	7.64	103+73.73	44.74	LT		
DS120	12.93	---	---	7.38	107+01.48	27.13	LT		
DS121	10.36	7.42	---	8.26	106+99.06	49.99	LT		
DS122	10.81	8.06	---	8.07	106+98.74	38.79	LT		
DS123	11.59	8.29	8.46	---	106+97.85	47.67	RT		

SHEET NUMBER 24 OF 29
 NOT VALID WITHOUT SHEETS
 1 THROUGH 29

**SOUTHEASTERN SURVEYING
 AND MAPPING CORPORATION**
 1150 Highway 90
 Chesapeake, FL 32828
 (407) 698-0780
 e-mail: info@southeasternsurveying.com
 Certification Number: LB2108

BY	REVISION	DATE

CONTROL & RIGHT-OF-WAY SURVEY
 THOMAS DRIVE FROM JOAN AVENUE TO BRISTOL STREET
 BAY COUNTY, FLORIDA

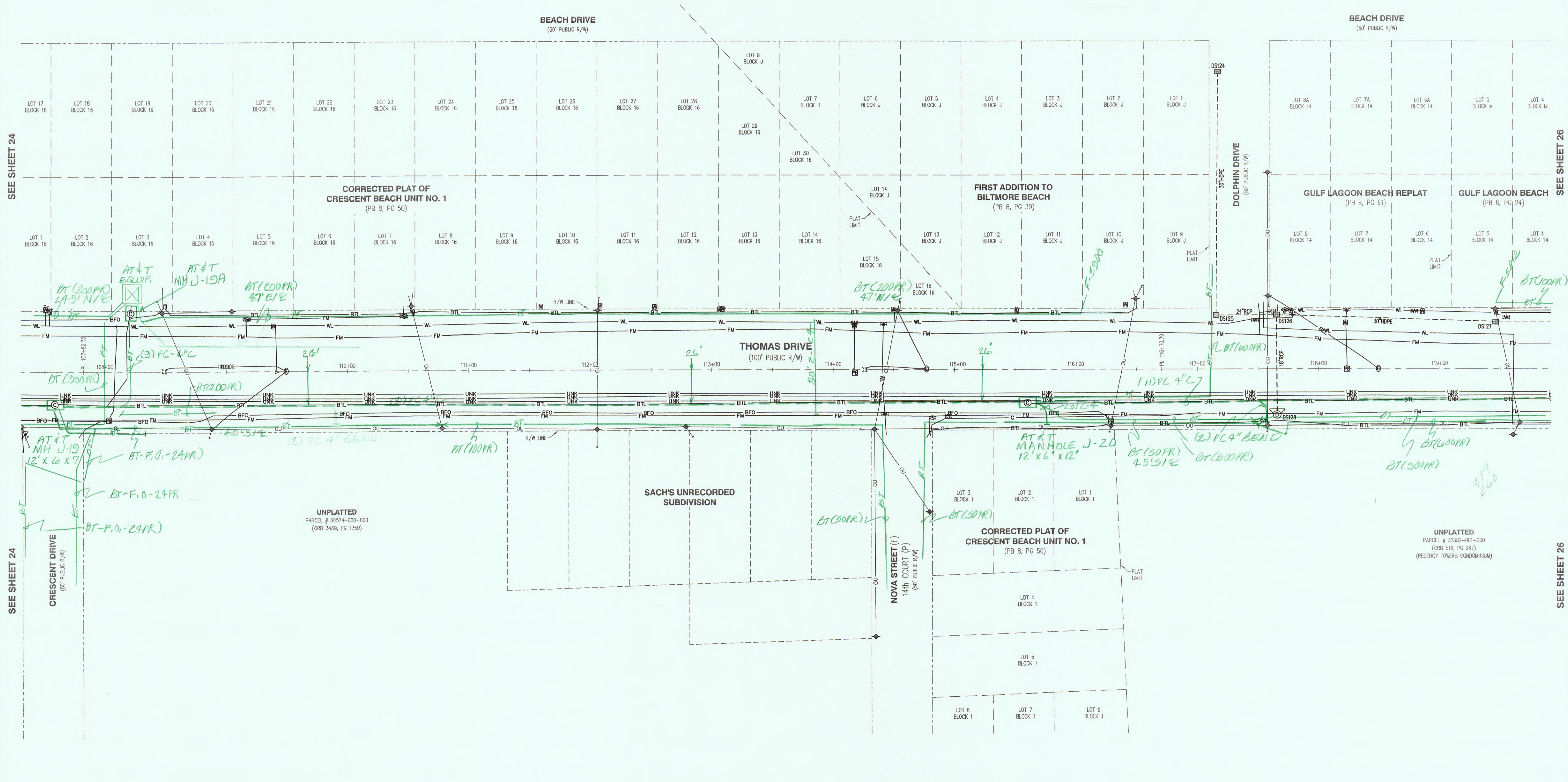
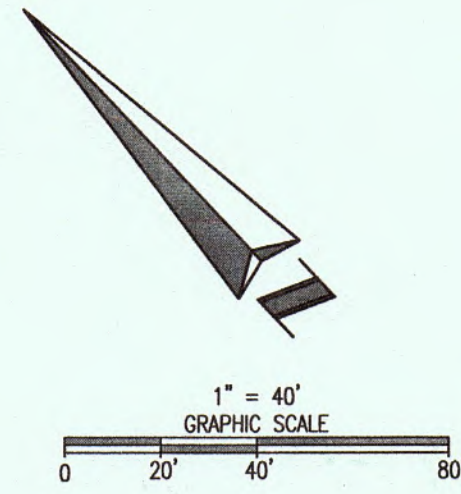
Scale: 1" = 40'
 Drawn By: JMC
 Field Date: 09/12/2017

**SEE SHEET 1 FOR
 SURVEYOR'S REPORT AND LEGEND**

DRAWING NUMBER
 61496PM
SHEET NUMBER
 24 OF 29

THOMAS DRIVE CONTROL AND RIGHT-OF-WAY SURVEY

FROM JOAN AVENUE TO BRISTOL STREET
 LOCATED IN SECTIONS 6, 7, 8, 9, & 16, TOWNSHIP 4 SOUTH, RANGE 15 WEST, BAY COUNTY, FLORIDA



DRAINAGE STRUCTURE TABLE						
DS124	12.19	---	5.33	---	117+16.78	244.48 LT
DS125	12.11	5.88	6.06	---	117+15.42	44.40 LT
DS126	11.87	---	6.05	6.10	117+85.17	44.48 LT
DS127	12.89	---	6.02	---	119+46.22	38.46 LT
DS128	13.32	6.35	---	---	117+65.76	38.09 RT

SHEET NUMBER 25 OF 29
 NOT VALID WITHOUT SHEETS
 1 THROUGH 29

Southeastern Surveying
 AND MAPPING CORPORATION
 1130 Highway 90
 Chipley, Florida 32428
 Phone: (904) 633-0000
 e-mail: info@southeasternsurveying.com
 Certification Number LB2108

BY	REVISION	REVISION DATE

PROJECT:
CONTROL & RIGHT-OF-WAY SURVEY
THOMAS DRIVE FROM JOAN AVENUE TO BRISTOL STREET
 BAY COUNTY, FLORIDA

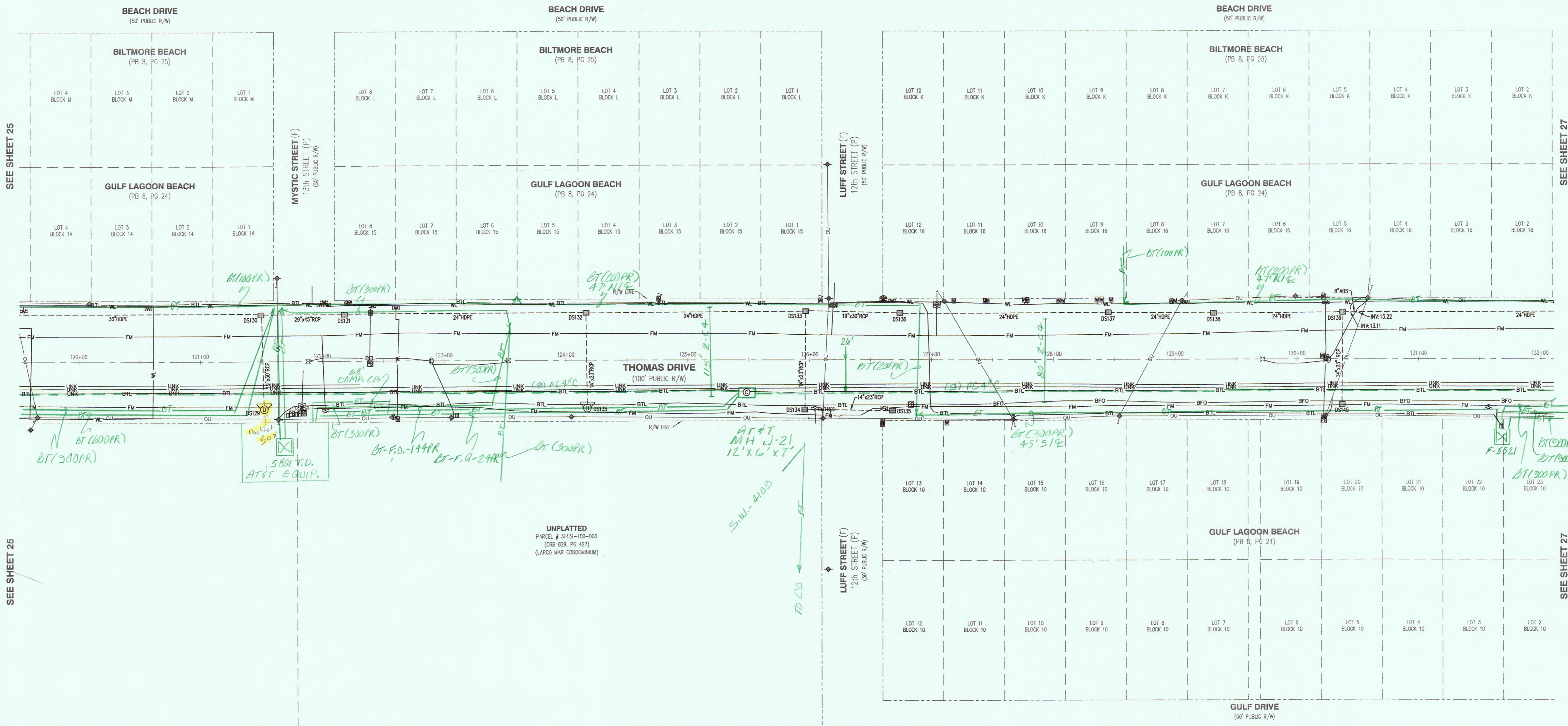
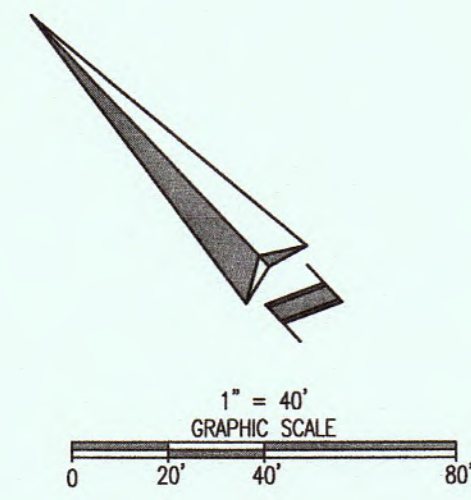
Drawn By: JMC
 Date: 06/12/2017
 Scale: 1" = 40'

SEE SHEET 1 FOR
 SURVEYOR'S REPORT AND LEGEND

DRAWING NUMBER
61496PM
 SHEET
NUMBER
25 OF 29

THOMAS DRIVE CONTROL AND RIGHT-OF-WAY SURVEY

FROM JOAN AVENUE TO BRISTOL STREET
 LOCATED IN SECTIONS 6, 7, 8, 9, & 16, TOWNSHIP 4 SOUTH, RANGE 15 WEST, BAY COUNTY, FLORIDA



UNPLATTED
 PARCEL # 31431-100-000
 (ORB 829, PG 427)
 (LARGO MAR. CONDOMINIUM)

DRAINAGE STRUCTURE TABLE					
DSI29	14.07	6.82	--	--	12+52.31 39.23 RT
DSI30	12.82	6.49	6.74	6.77	121+49.56 38.09 LT
DSI31	13.27	--	6.73	6.65	122+18.17 38.27 LT
DSI32	13.21	--	7.27	7.44	124+16.55 36.84 LT
DSI33	13.35	--	7.79	7.74	125+96.72 38.88 LT
DSI34	13.72	7.91	--	--	125+85.91 40.78 RT
DSI35	14.30	8.38	--	--	124+12.62 38.74 RT
DSI36	13.89	--	--	8.21	126+68.08 41.90 RT
DSI38	13.25	--	7.83	7.76	126+74.12 36.28 LT
DSI37	13.71	--	6.08	6.05	128+45.21 38.51 LT
DSI38	13.69	--	8.22	8.22	129+31.52 37.88 LT
DSI39	13.46	--	8.65	8.74	130+37.57 38.27 LT
DSI40	13.49	8.98	--	--	130+37.17 37.47 RT

SEE SHEET 25

SEE SHEET 25

SEE SHEET 27

SEE SHEET 27

SHEET NUMBER 26 OF 29
 NOT VALID WITHOUT SHEETS
 1 THROUGH 29

Southeastern Surveying
 SOUTHEASTERN SURVEYING
 AND MAPPING CORPORATION
 1130 Highway 90
 Cupley, Florida 32428
 e-mail: info@seasurveysurveying.com
 Certification Number LB608

REVISION	DATE	BY

PROJECT: CONTROL & RIGHT-OF-WAY SURVEY
 THOMAS DRIVE FROM JOAN AVENUE TO BRISTOL STREET
 BAY COUNTY, FLORIDA

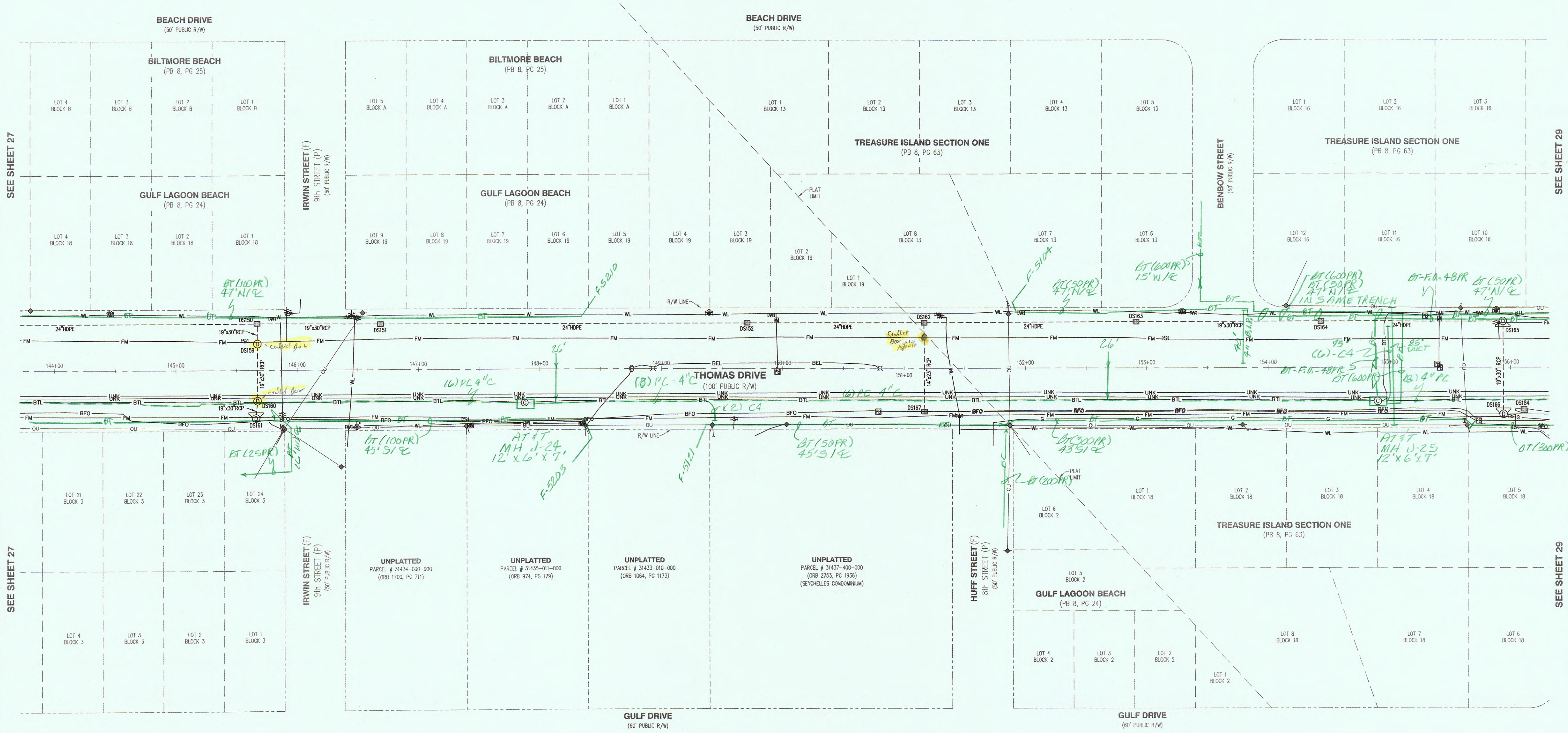
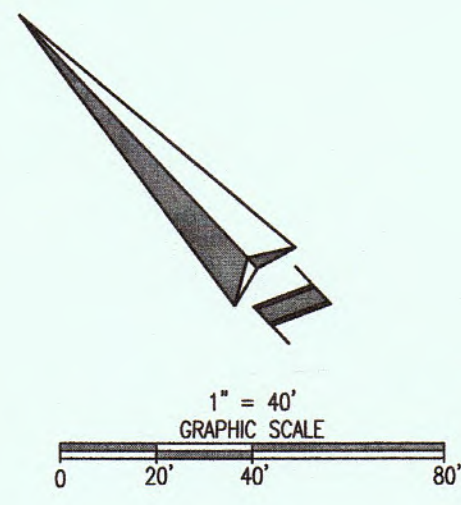
Scale: 1" = 40'
 Date: 09/12/2017
 Drawn By: JJC

SEE SHEET 1 FOR SURVEYOR'S REPORT AND LEGEND

DRAWING NUMBER
 61496PM
 SHEET NUMBER
 26 OF 29

THOMAS DRIVE CONTROL AND RIGHT-OF-WAY SURVEY

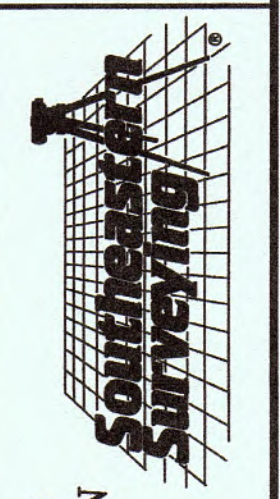
FROM JOAN AVENUE TO BRISTOL STREET
 LOCATED IN SECTIONS 6, 7, 8, 9, & 16, TOWNSHIP 4 SOUTH, RANGE 15 WEST, BAY COUNTY, FLORIDA



DRAINAGE STRUCTURE TABLE						
DS150	11.11	8.26	8.32	8.18	145+66.91	38.35 LT
DS151	11.25	8.11	8.12	8.12	146+68.75	37.81 LT
DS152	10.80	7.11	7.19	7.19	149+70.83	37.26 LT
DS159	12.16	8.06	8.05	8.05	145+67.21	21.60 LT
DS160	12.07	8.15	8.28	8.28	145+67.40	25.37 RT
DS161	12.19	8.38	8.38	8.38	145+66.15	38.61 RT
DS162	10.14	7.12	6.24	7.12	151+16.60	37.78 LT
DS163	10.20	6.62	6.54	6.54	152+91.19	38.29 LT
DS164	9.50	6.51	6.53	6.53	154+43.45	38.39 LT
DS165	11.04	5.83	6.22	6.22	155+93.70	38.36 LT
DS166	11.28	6.34	6.34	6.34	155+94.20	38.41 RT
DS167	10.86	6.34	6.34	6.34	151+16.87	35.67 RT
DS184	11.15	6.16	6.16	6.16	156+10.70	34.77 RT

ML:\18496-THOMAS DRIVE\DWG\DWG\18496.dwg

SHEET NUMBER 28 OF 29
 NOT VALID THROUGH SHEETS
 1 THROUGH 29



SOUTHEASTERN SURVEYING
 AND MAPPING CORPORATION
 1100 Highway 90
 Clearwater, FL 34616
 Phone: (813) 688-0780
 Fax: (813) 688-0780
 e-mail: info@southeasternsurveying.com
 Certification Number: LRC108

BY	REVISION	DATE

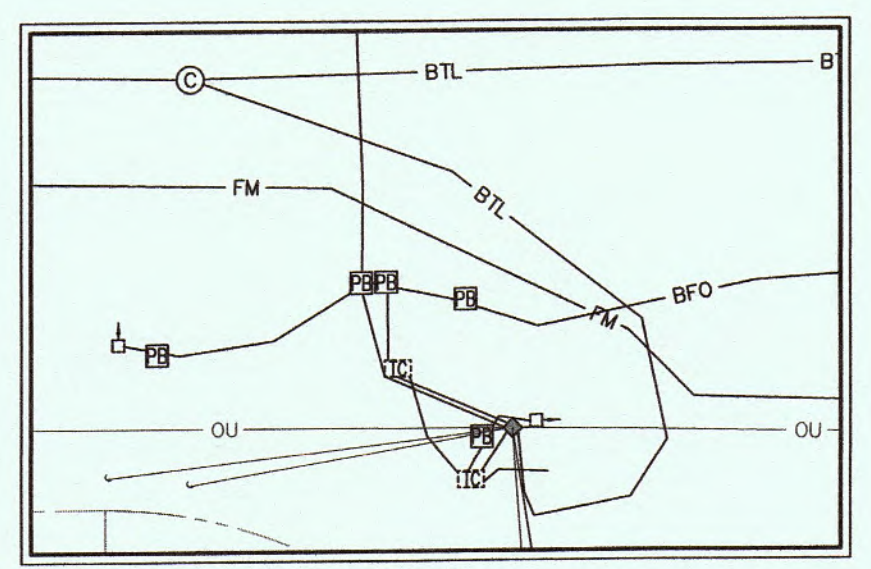
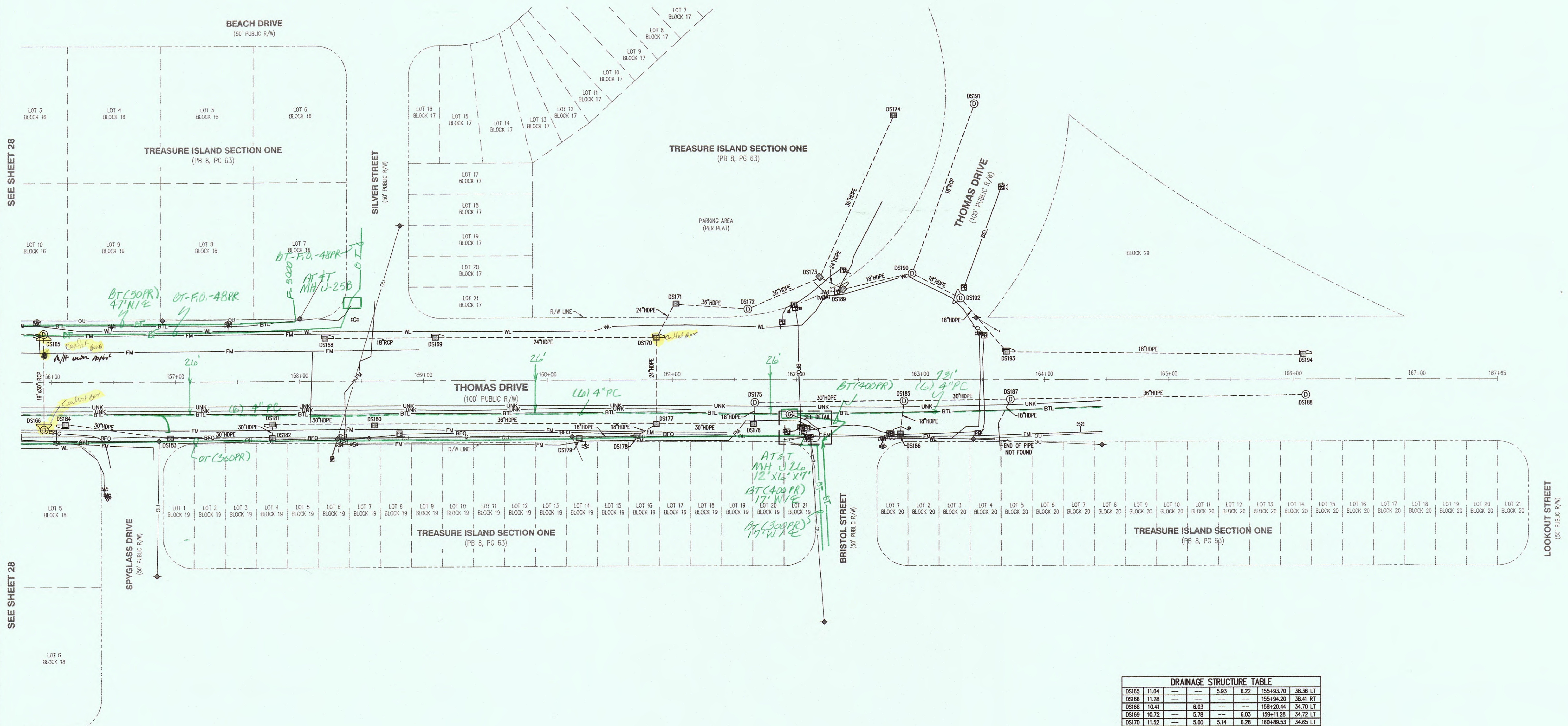
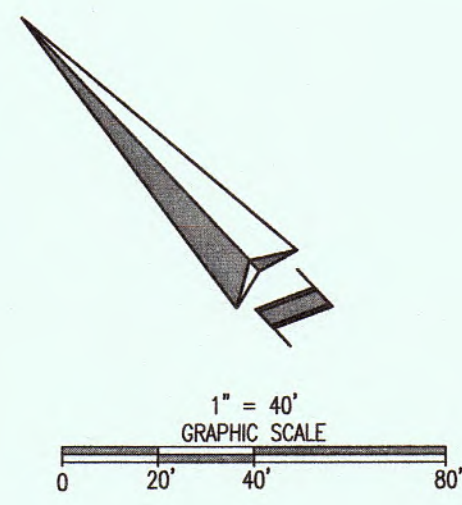
Project: CONTROL & RIGHT-OF-WAY SURVEY
 THOMAS DRIVE FROM JOAN AVENUE TO BRISTOL STREET
 BAY COUNTY, FLORIDA
 Scale: 1" = 40'
 Drawn By: JKC
 Date: 06/12/2017

SEE SHEET 1 FOR
 SURVEYOR'S REPORT AND LEGEND

DRAWING NUMBER
 61496PM
 SHEET
 NUMBER
 28 OF 29

THOMAS DRIVE CONTROL AND RIGHT-OF-WAY SURVEY

FROM JOAN AVENUE TO BRISTOL STREET
 LOCATED IN SECTIONS 6, 7, 8, 9, & 16, TOWNSHIP 4 SOUTH, RANGE 15 WEST, BAY COUNTY, FLORIDA

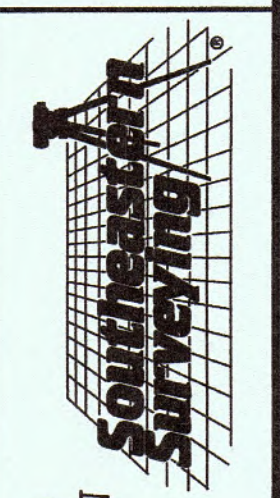


DETAIL
(NOT TO SCALE)

DRAINAGE STRUCTURE TABLE						
DS165	11.04	---	5.93	6.22	155+83.70	36.36 LT
DS166	11.28	---	---	---	155+94.20	38.41 RT
DS168	10.41	---	6.03	---	158+20.44	34.70 LT
DS169	10.72	---	5.78	---	159+11.28	34.72 LT
DS170	11.52	---	5.00	5.14	160+89.53	34.65 LT
DS171	8.74	---	5.02	---	161+03.04	61.05 LT
DS172	9.94	---	4.28	---	161+60.95	56.06 LT
DS173	10.06	4.46	4.87	4.55	162+18.65	82.38 LT
DS174	9.58	---	---	4.22	162+78.17	212.87 LT
DS175	11.82	---	3.86	3.92	161+66.59	18.29 RT
DS176	11.38	6.10	---	5.84	161+85.37	35.74 RT
DS177	10.98	5.31	5.28	6.02	160+87.21	35.81 RT
DS178	11.01	---	6.52	---	160+71.79	45.06 RT
DS179	9.90	---	7.00	---	160+25.19	46.95 RT
DS180	9.85	---	5.26	5.36	158+60.46	35.74 RT
DS181	10.70	---	5.64	5.75	157+76.31	34.93 RT
DS182	10.79	5.84	---	5.78	157+76.10	45.59 RT
DS183	11.01	---	6.03	---	156+96.04	45.38 RT
DS184	11.15	---	6.16	---	156+10.70	34.77 RT
DS185	12.41	---	3.74	3.86	162+86.80	17.15 RT
DS186	11.56	3.99	---	---	162+83.72	43.54 RT
DS188	11.08	---	---	3.28	166+10.25	12.59 RT
DS189	12.03	4.85	5.69	---	162+35.97	70.60 LT
DS190	12.22	---	5.88	5.75	162+83.29	85.27 LT
DS191	11.70	---	---	6.02	163+43.30	222.46 LT
DS192	12.38	---	---	5.99	163+32.44	65.51 LT
DS193	12.33	6.02	6.14	---	163+67.16	22.79 LT
DS194	11.49	---	---	6.81	166+08.16	20.11 LT

N:\19496_THOMAS DRIVE CONTROL AND RIGHT-OF-WAY SURVEY.dwg

SHEET NUMBER 29 OF 29
NOT VALID WITHOUT SHEETS 1 THROUGH 29



SOUTHEASTERN SURVEYING
AND MAPPING CORPORATION
1130 Highway 90
Chuluota, FL 32114
(407) 859-0700
e-mail: info@southeasternsurveying.com
Certification Number LB008

REVISION	DATE	BY

CONTROL & RIGHT-OF-WAY SURVEY
THOMAS DRIVE FROM JOAN AVENUE TO BRISTOL STREET
BAY COUNTY, FLORIDA
Scale: 1" = 40'
Drawn By: JLC
Date: 09/12/2017

SEE SHEET 1 FOR
SURVEYOR'S REPORT AND LEGEND

DRAWING NUMBER
61496PM
SHEET NUMBER
29 OF 29